

FLUSH CASEMENT

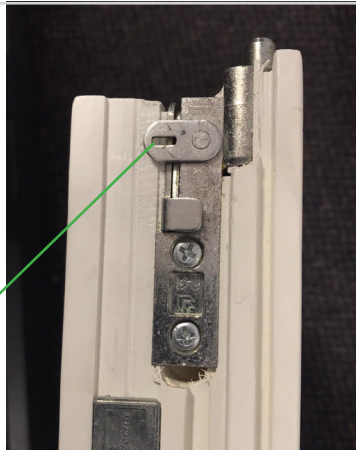
GU Hinge Adjustment Guide



Please note this guide applies to Bereco Flush casement windows supplied with GU hinges pre 2015.

1. Hinge Security Lock

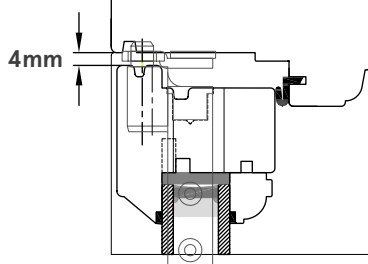
Correct position



2. Correct Tolerances

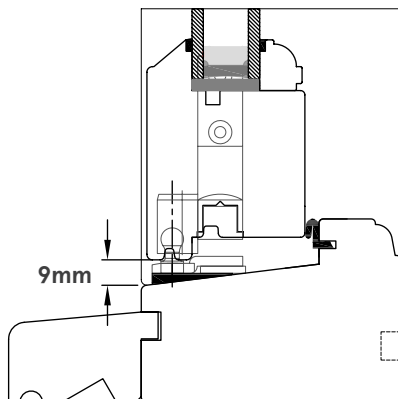
Important

Distance must be 4mm between sash & frame head.



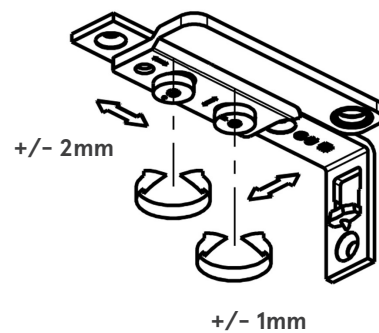
If adjustments are required refer to point 3B (height adjustment) to achieve this.

Bottom distance should be 9mm



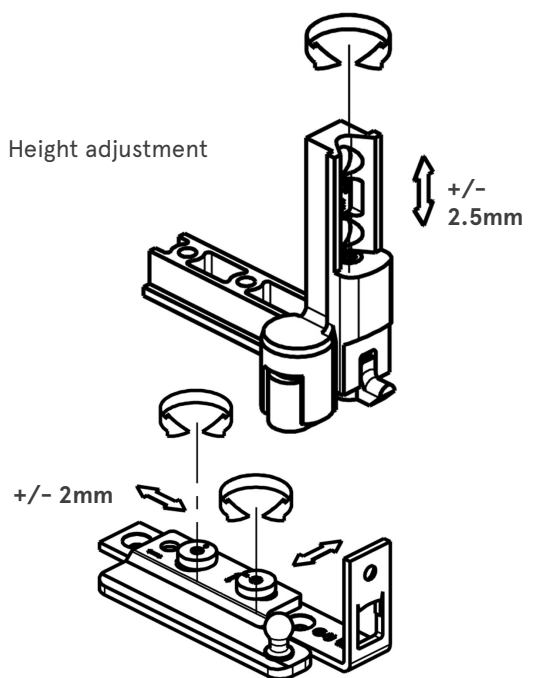
3. Hinge Adjustment

A. Top hinge lateral and compression adjustment



Note: All adjustments should be done with a Gr.15 Torx Key.

B. Height adjustment



C. Top hinge lateral and compression adjustment

$\pm 2\text{mm}$