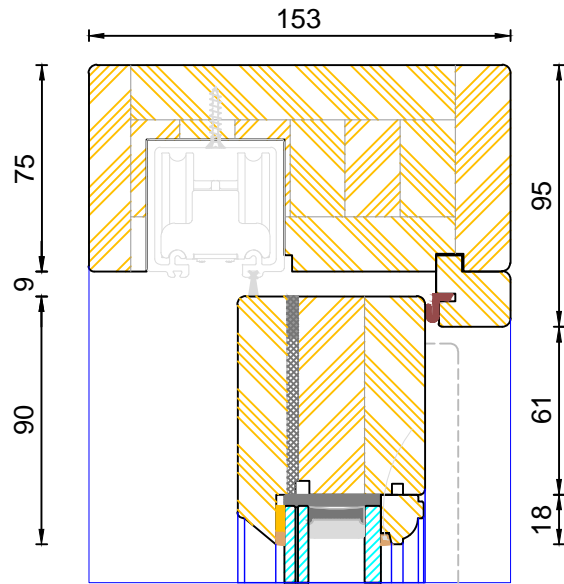
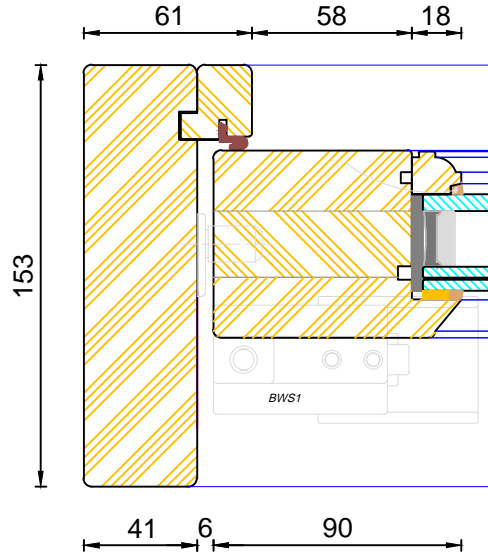


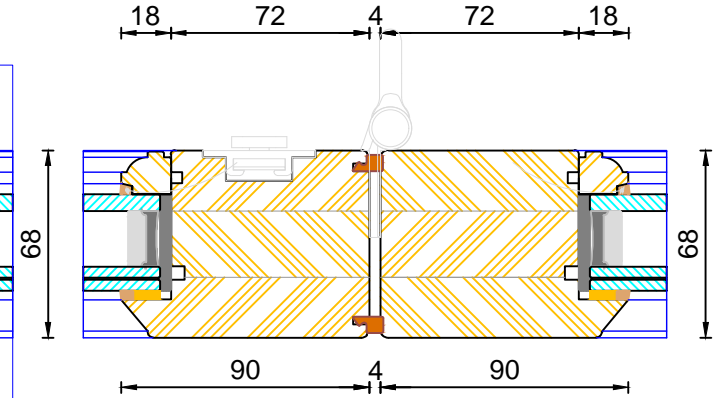
Section E-E



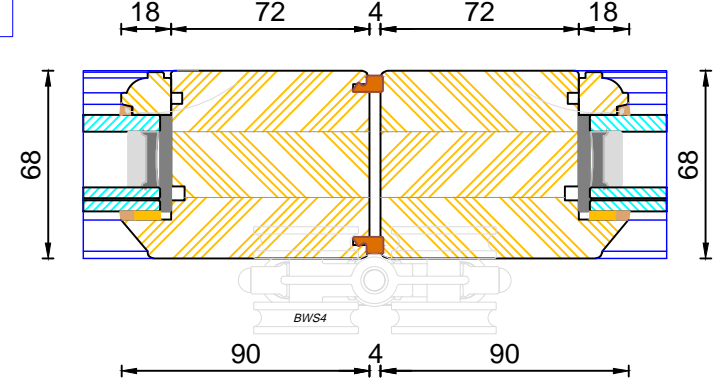
Section A-A



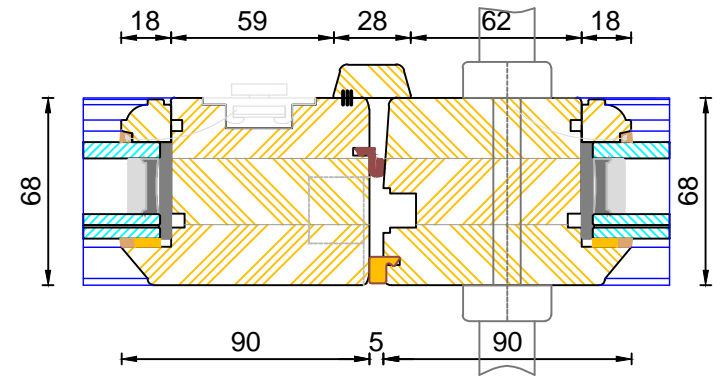
Section B-B



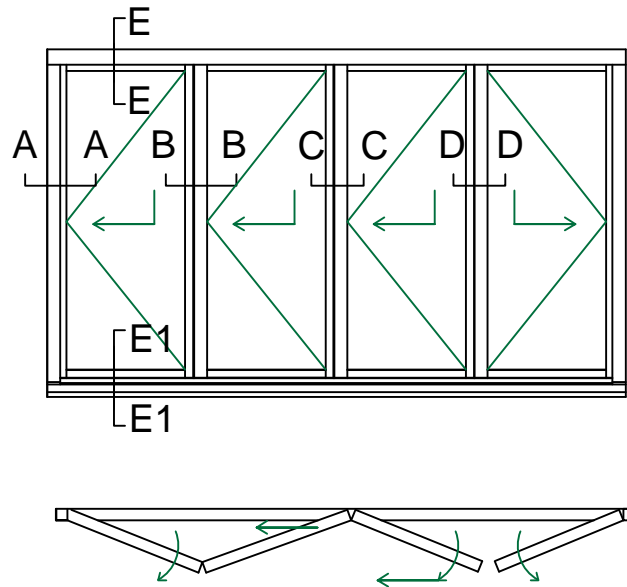
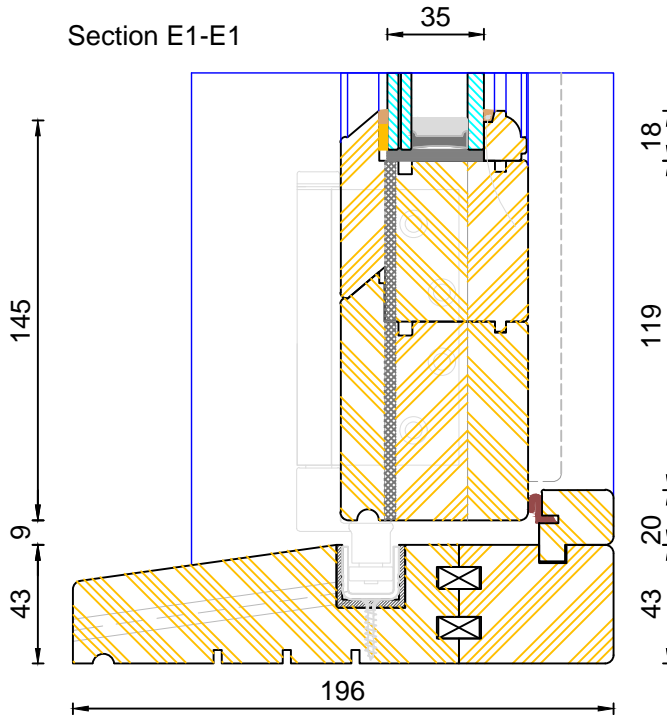
Section C-C



Section D-D



Section E1-E1



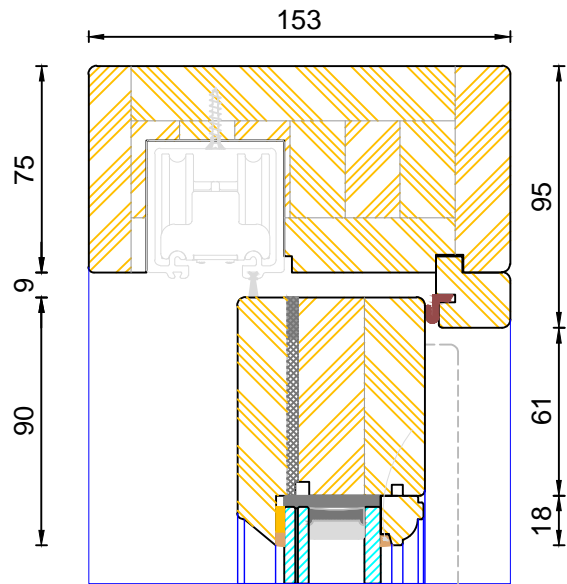
**Traditional Open Out Folding Sliding Door  
Frame & Leaf Sections - Acoustic Rating 38dB**

DIMENSIONS	PLOT SIZE	SCALE	DATE	REV	DWG NO.
MM	A1	1:1	21.10.2016	A	<b>4340</b>

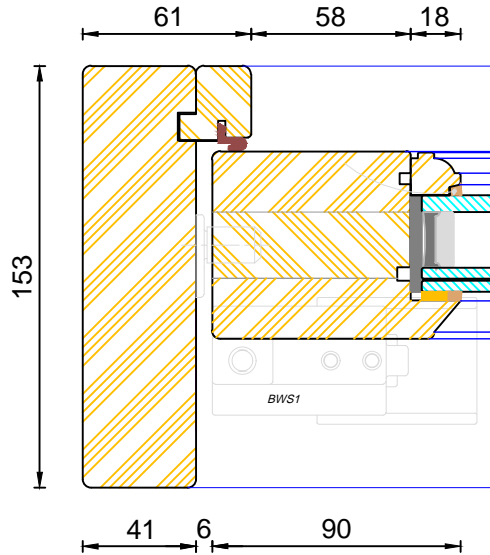
Please consider the environment before printing

Typical sections showing acoustic glass - 8.8/20ar/6ESGT (39 dB)  
For full sectional details please refer to our standard double glazed sections

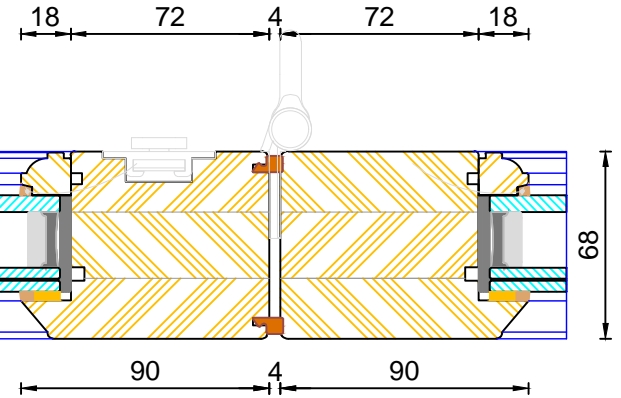
Section E-E



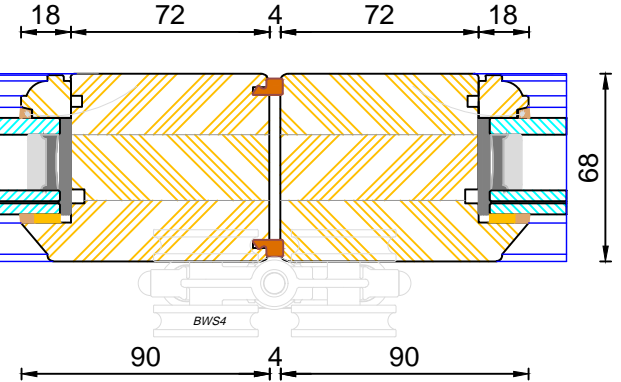
Section A-A



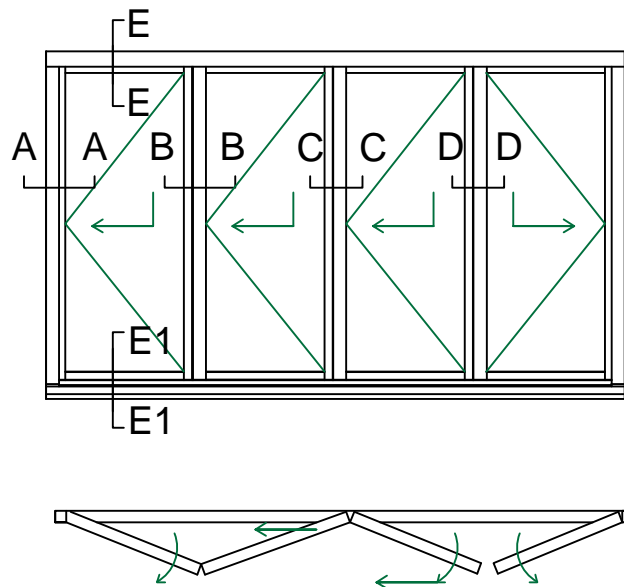
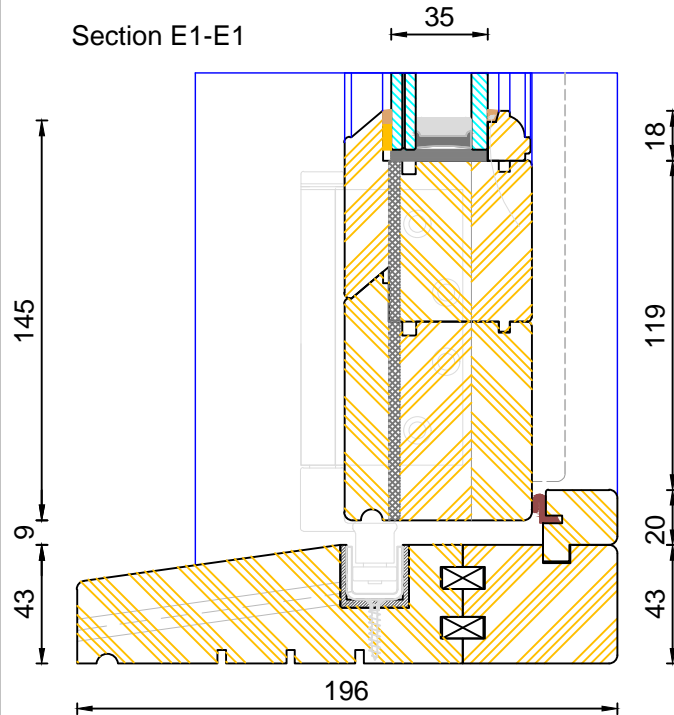
Section B-B



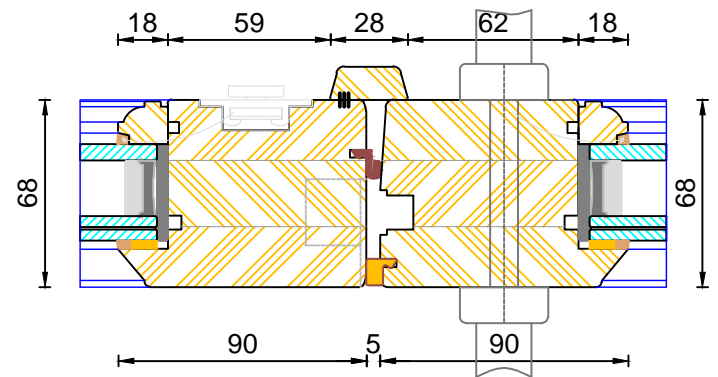
Section C-C



Section E1-E1



Section D-D



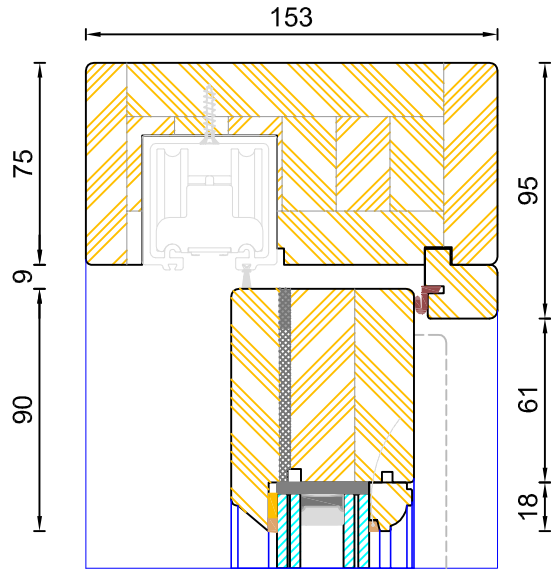
**Traditional Open Out Folding Sliding Door  
Frame & Leaf Sections - Acoustic Rating 41dB**

DIMENSIONS	PLOT SIZE	SCALE	DATE	REV	DWG NO.
MM	A1	1:1	21.10.2016	A	<b>4341</b>

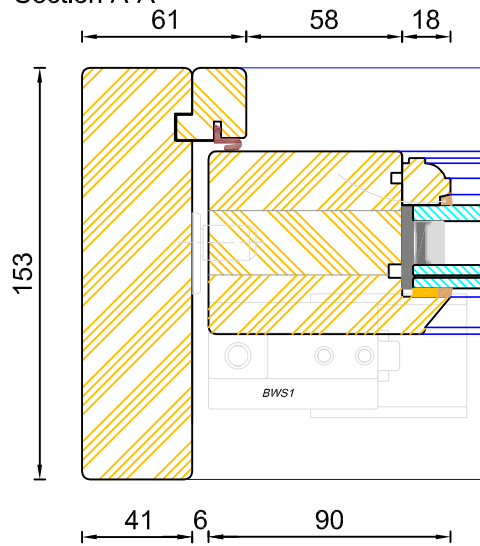
Please consider the environment before printing

Typical sections showing acoustic glass - 8.8Aku/20ar/6ESGT (**42 dB**)  
For full sectional details please refer to our standard double glazed sections

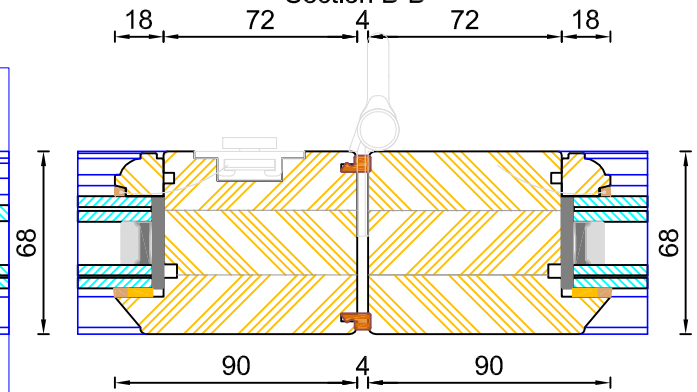
Section E-E



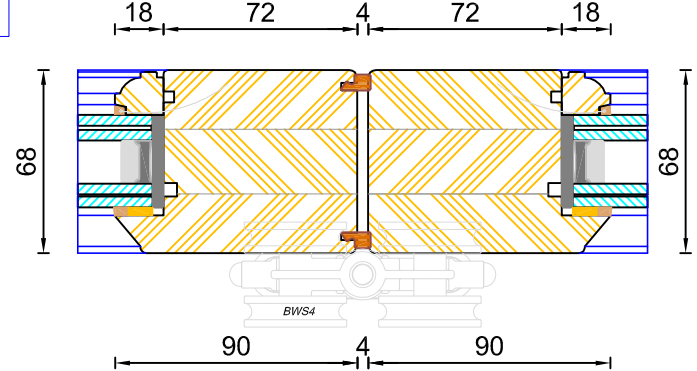
Section A-A



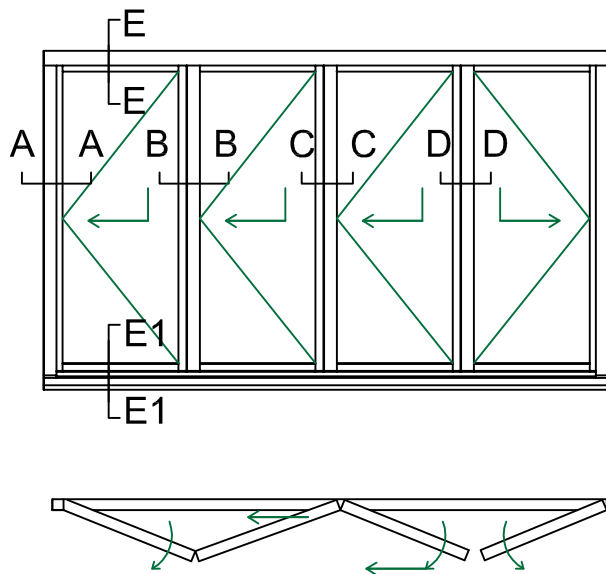
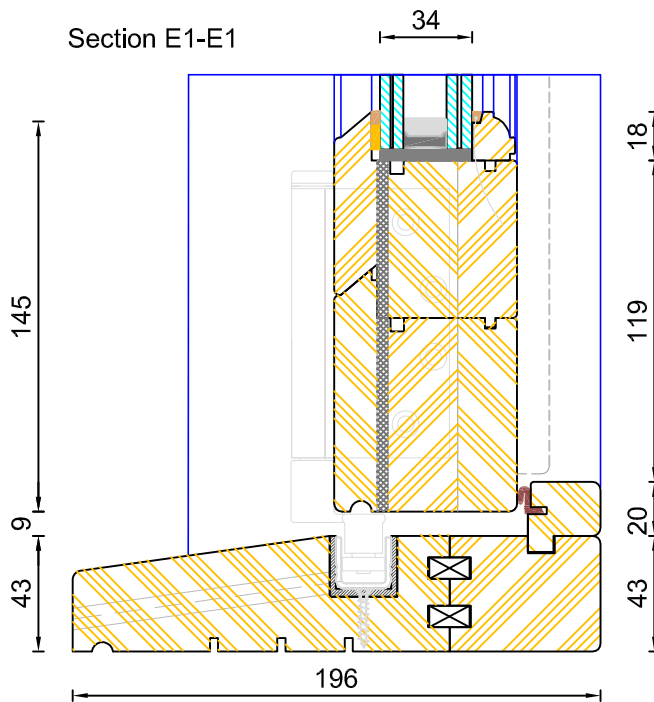
Section B-B



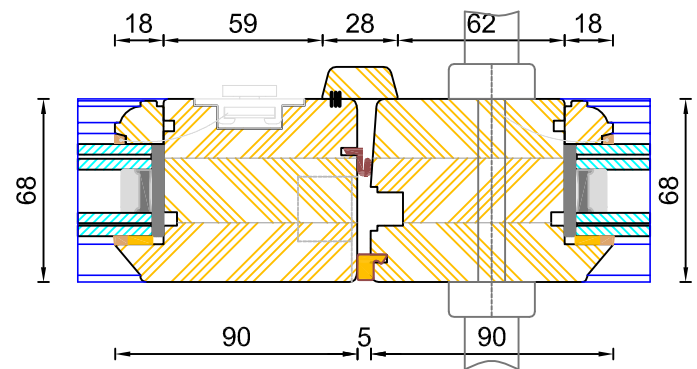
Section C-C



Section E1-E1



Section D-D



**Traditional Open Out Folding Sliding Door**  
**Frame & Leaf Sections - Acoustic Rating 42dB**

DIMENSIONS	PLOT SIZE	SCALE	DATE	REV	DWG NO.
MM	A1	1:1	28.08.2019	B	<b>4342</b>
Please consider the environment before printing					

Typical sections showing acoustic glass - 9.5/16Ar/8.8T(Aku) CG A 1.0 (**45dB**)  
 For full sectional details please refer to our standard double glazed sections