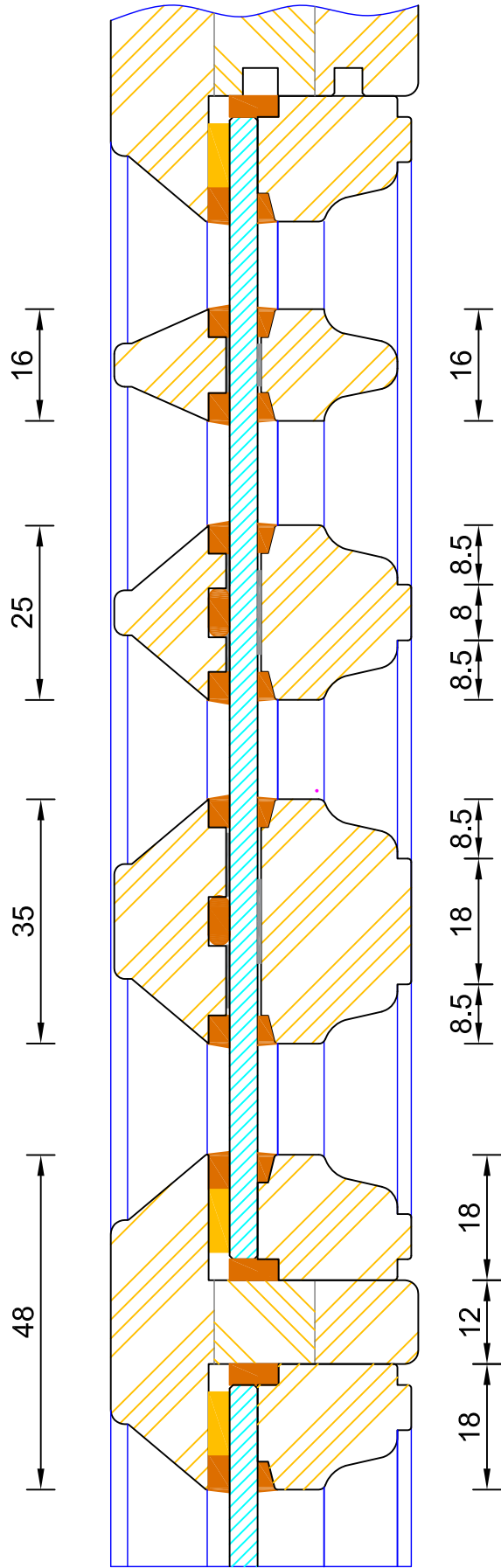


Heritage Single Glazed Sliding Sash Spiral Balance Cill Extension Options

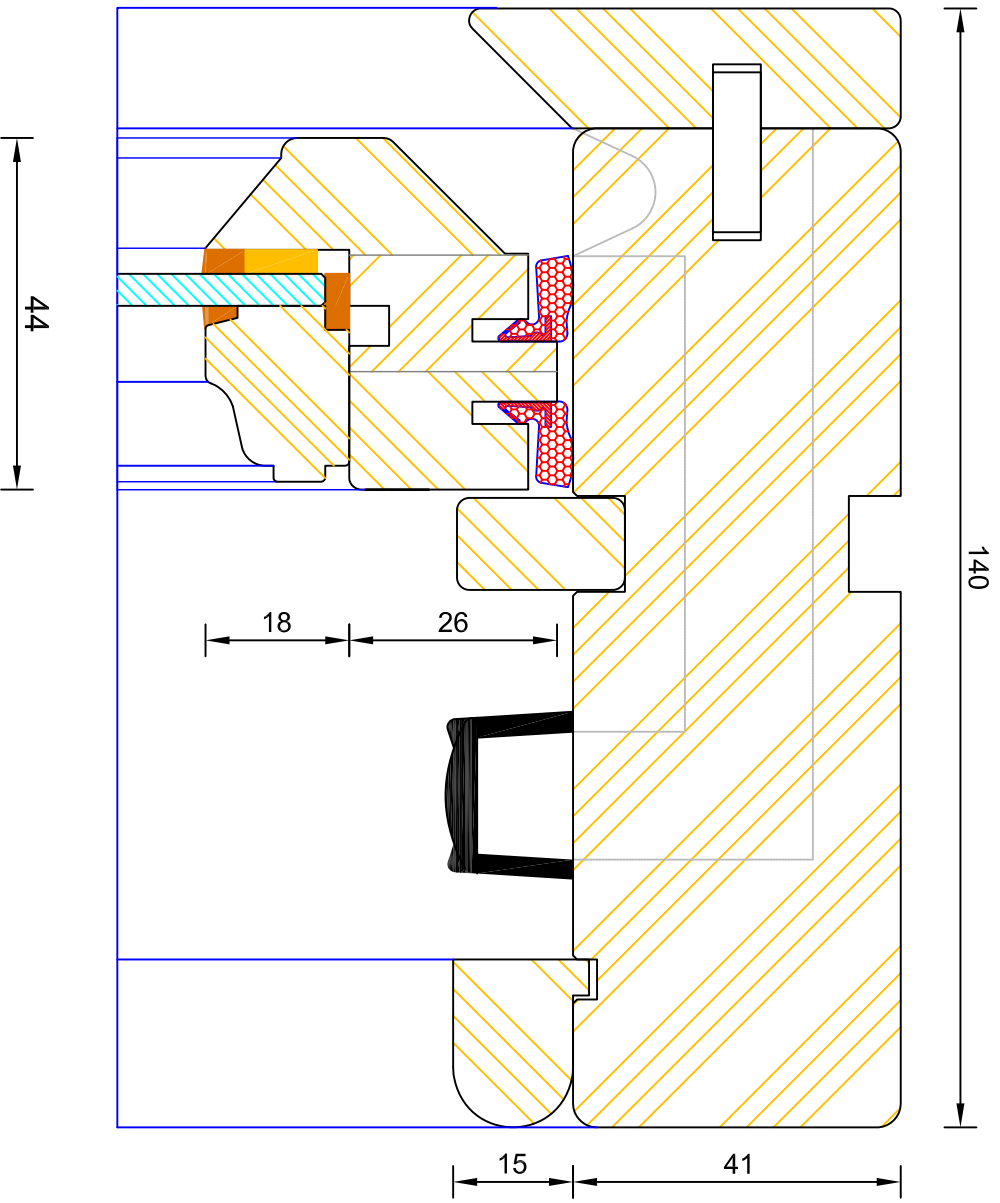
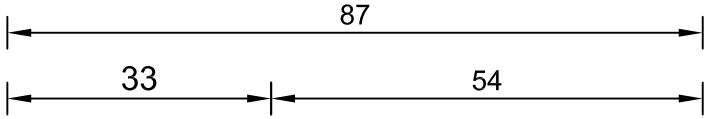
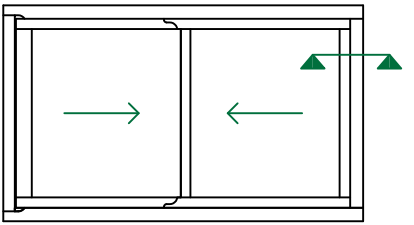
DIMENSIONS	PLOT SIZE	SCALE	DATE	REV	DWG NO.
MM	A4	1:1	08.10.2019	B	3001

Please consider the environment before printing



Heritage Single Glazed Sliding Sash Spiral Balance Bar Options

DIMENSIONS	PLOT SIZE	SCALE	DATE	REV	DWG NO.
MM	A4	1:1	01.01.2019	B	3002
Please consider the environment before printing					



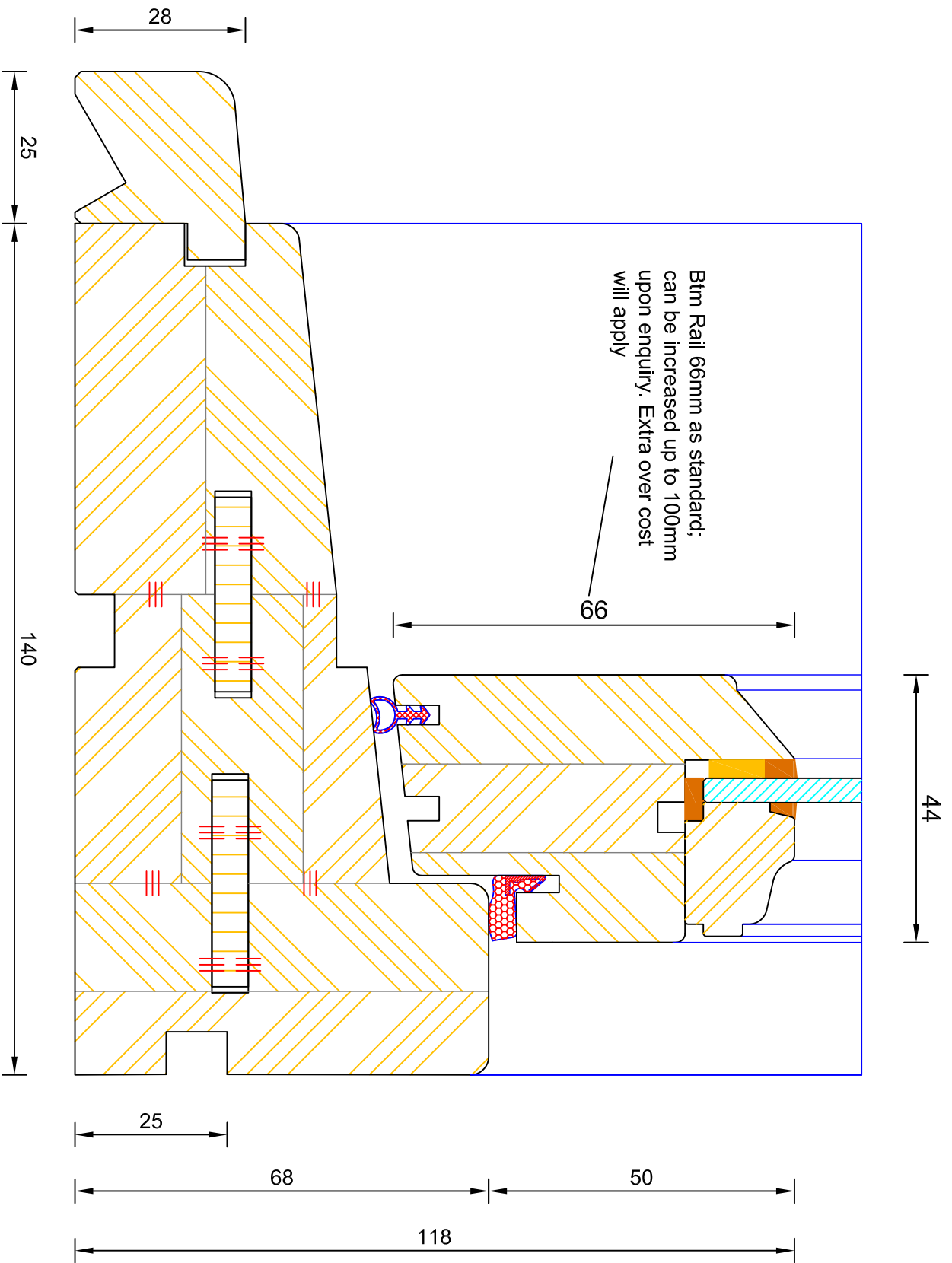
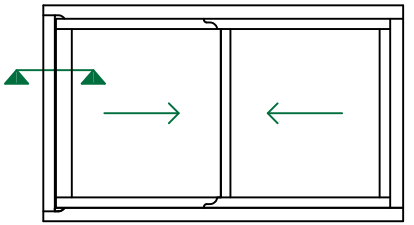
Bereco

**Heritage Single Glazed Sliding Sash Spiral Balance
Frame & Sash Head (With Vent)**

DIMENSIONS	PLOT SIZE	SCALE	DATE	REV	DWG. NO.
MM	A4	1:1	01.01.2019	B	3003

Please consider the environment before printing

Note: Detail Used
1/ If order has vents specified



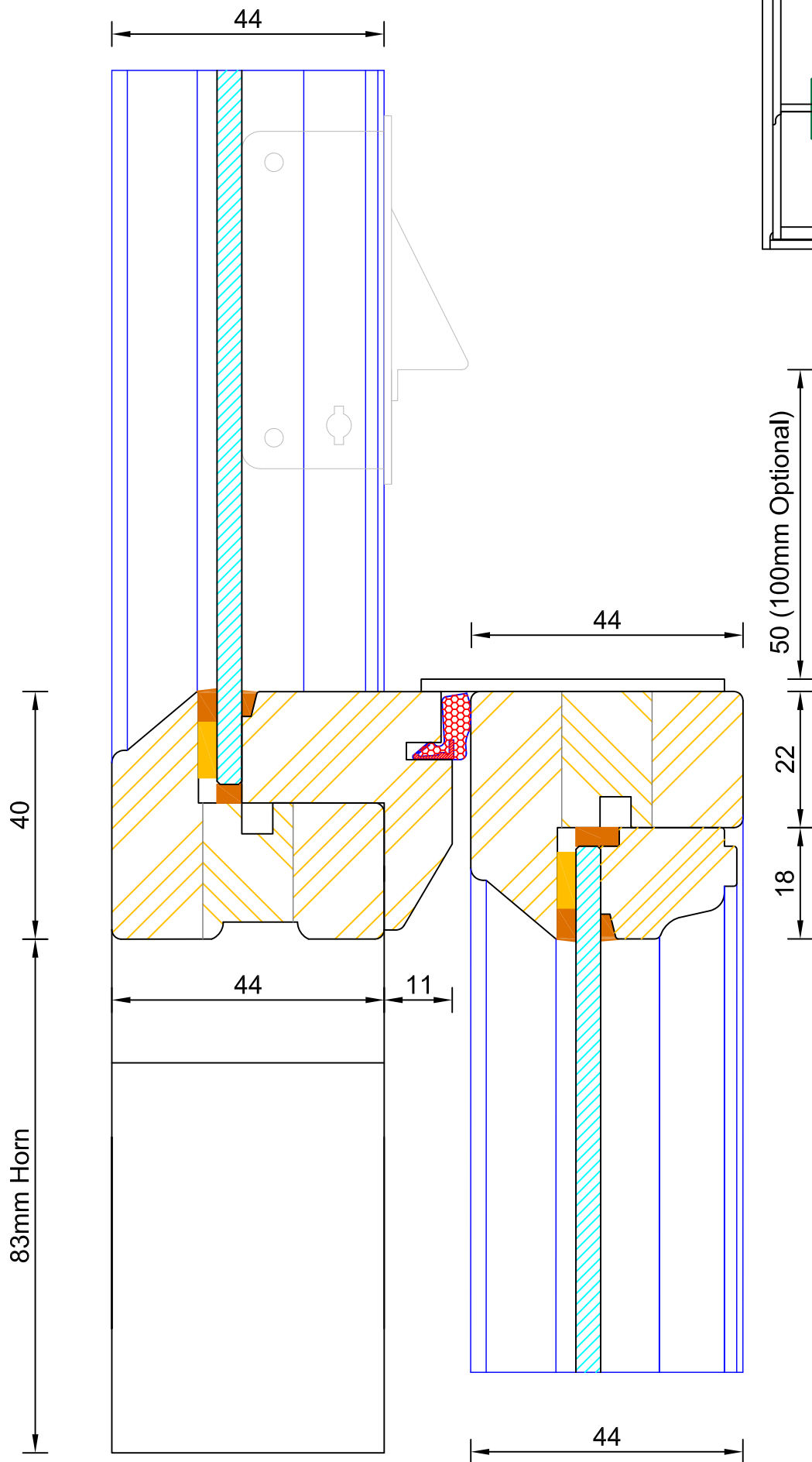
Heritage Single Glazed Sliding Sash Spiral Balance Frame & Sash Cill

DIMENSIONS	PLOT SIZE	SCALE	DATE	REV	DWG. NO.
MM	A4	1:1	01.01.2019	B	3004

Please consider the environment before printing

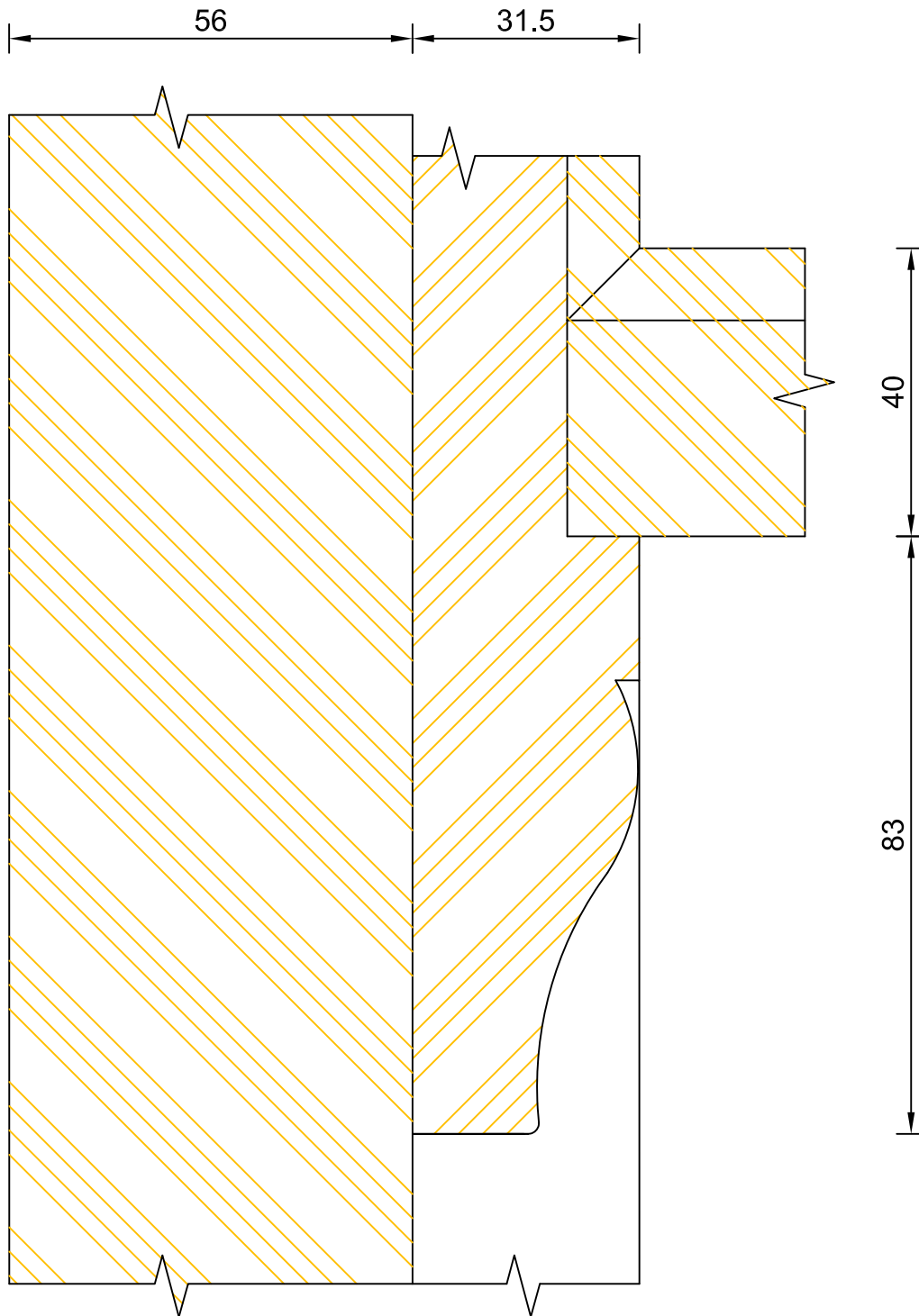
CILL EXTENSION - available options:
 25mm (193mm o/a) / 47mm (215mm o/a) /
 62mm (230mm o/a) / 87mm (255mm o/a) /
 100mm (268mm o/a) / 144mm (282mm o/a) /
 140mm (308mm o/a)



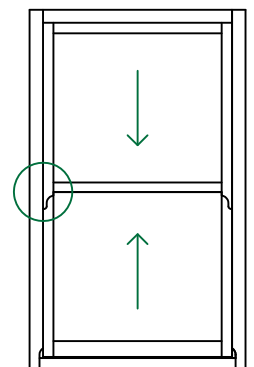


Heritage Single Glazed Sliding Sash Spiral Balance Meeting Rail

DIMENSIONS	PLOT SIZE	SCALE	DATE	REV	DWG NO.
MM	A4	1:1	01.01.2019	B	3005
Please consider the environment before printing					



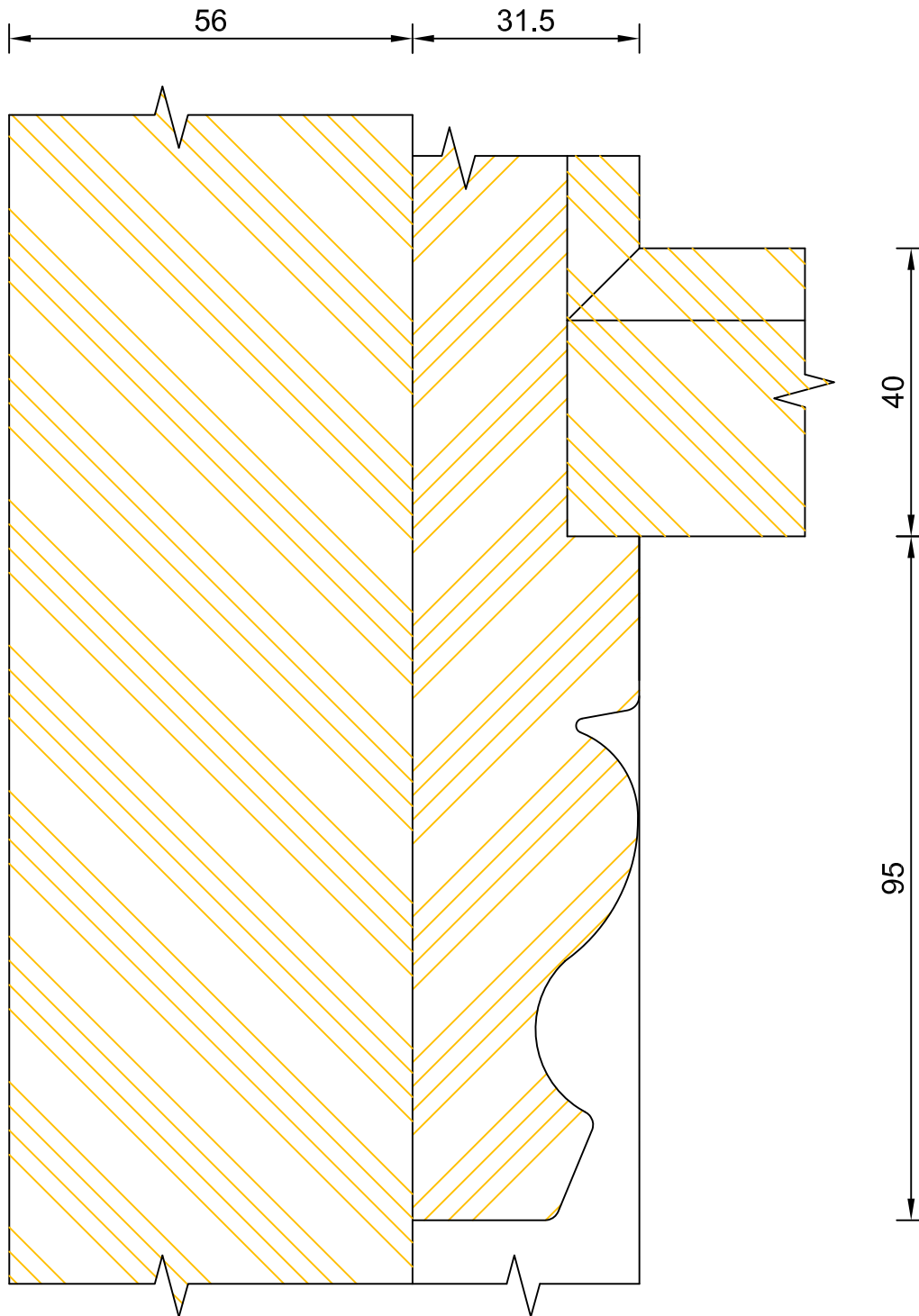
Horn Design: BELSAY
 Top Sash Horn Viewed From Outside



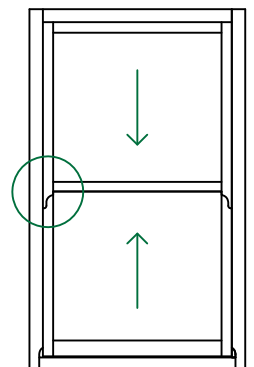
**Heritage Single Glazed Sliding Sash Spiral Balance
 Horns to Top Sash Only - Type B (Std Design)**

DIMENSIONS	PLOT SIZE	SCALE	DATE	REV	DWG NO.
MM	A4	1:1	10.04.2018	A	3008.1

Please consider the environment before printing



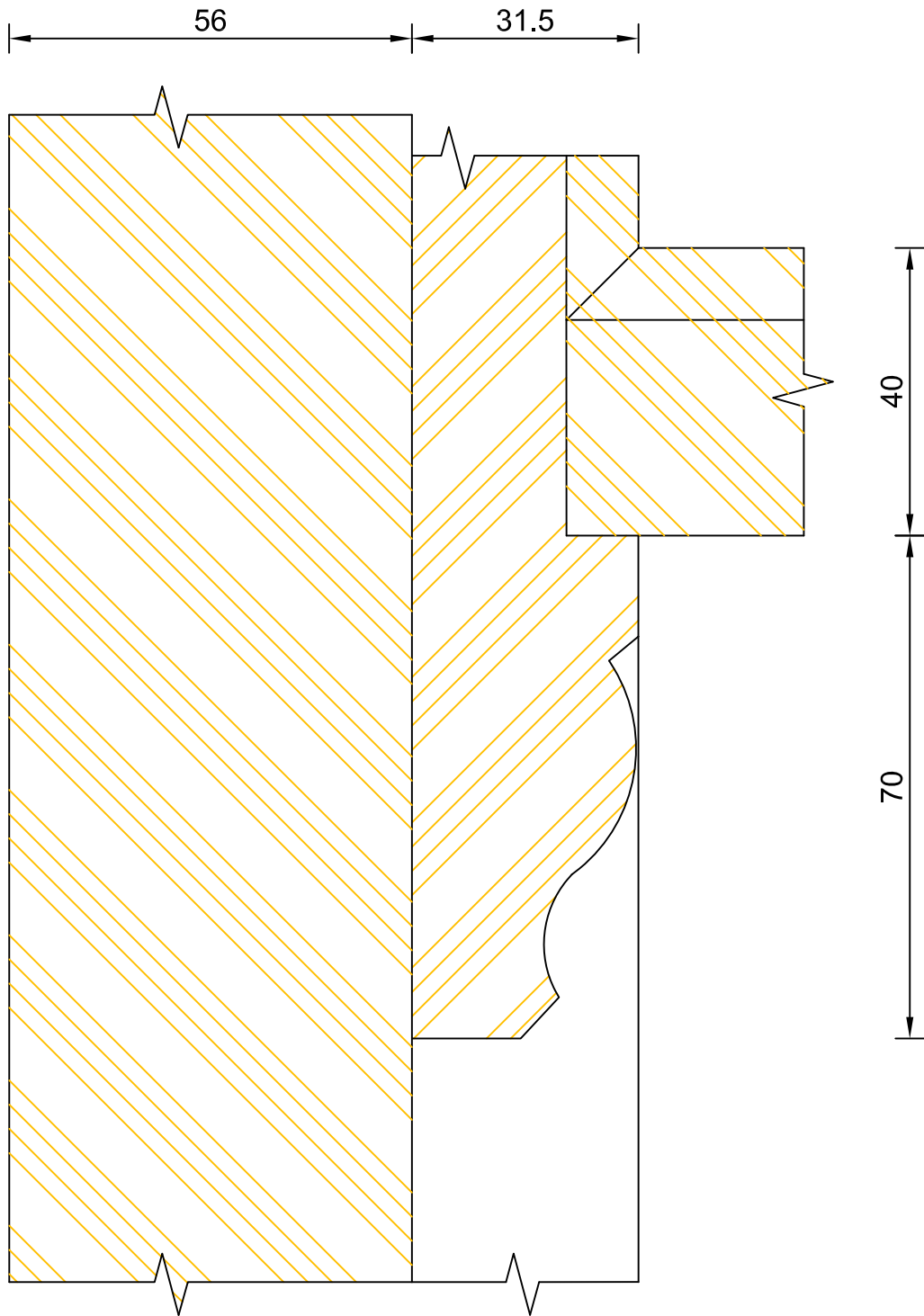
Horn Design: CAMBER
 Top Sash Horn Viewed From Outside



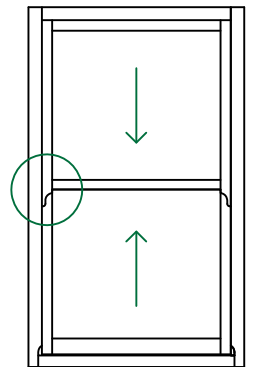
**Heritage Single Glazed Sliding Sash Spiral Balance
 Horns to Top Sash Only - Type C (Design Option)**

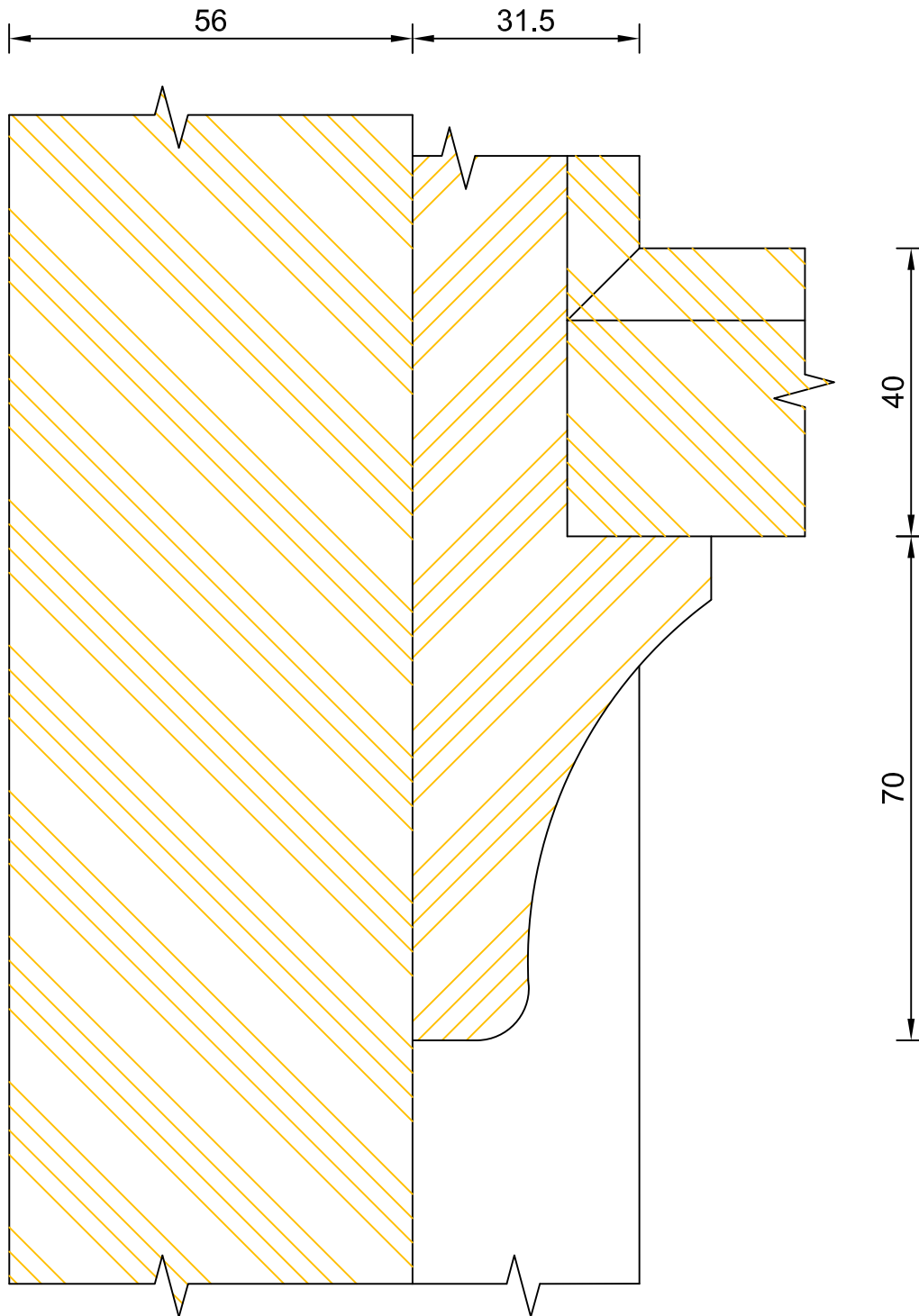
DIMENSIONS	PLOT SIZE	SCALE	DATE	REV	DWG NO.
MM	A4	1:1	10.04.2018	A	3008.2

Please consider the environment before printing

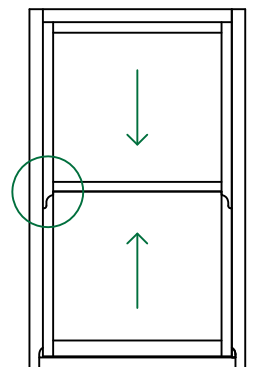


Horn Design: DALTON
 Top Sash Horn Viewed From Outside





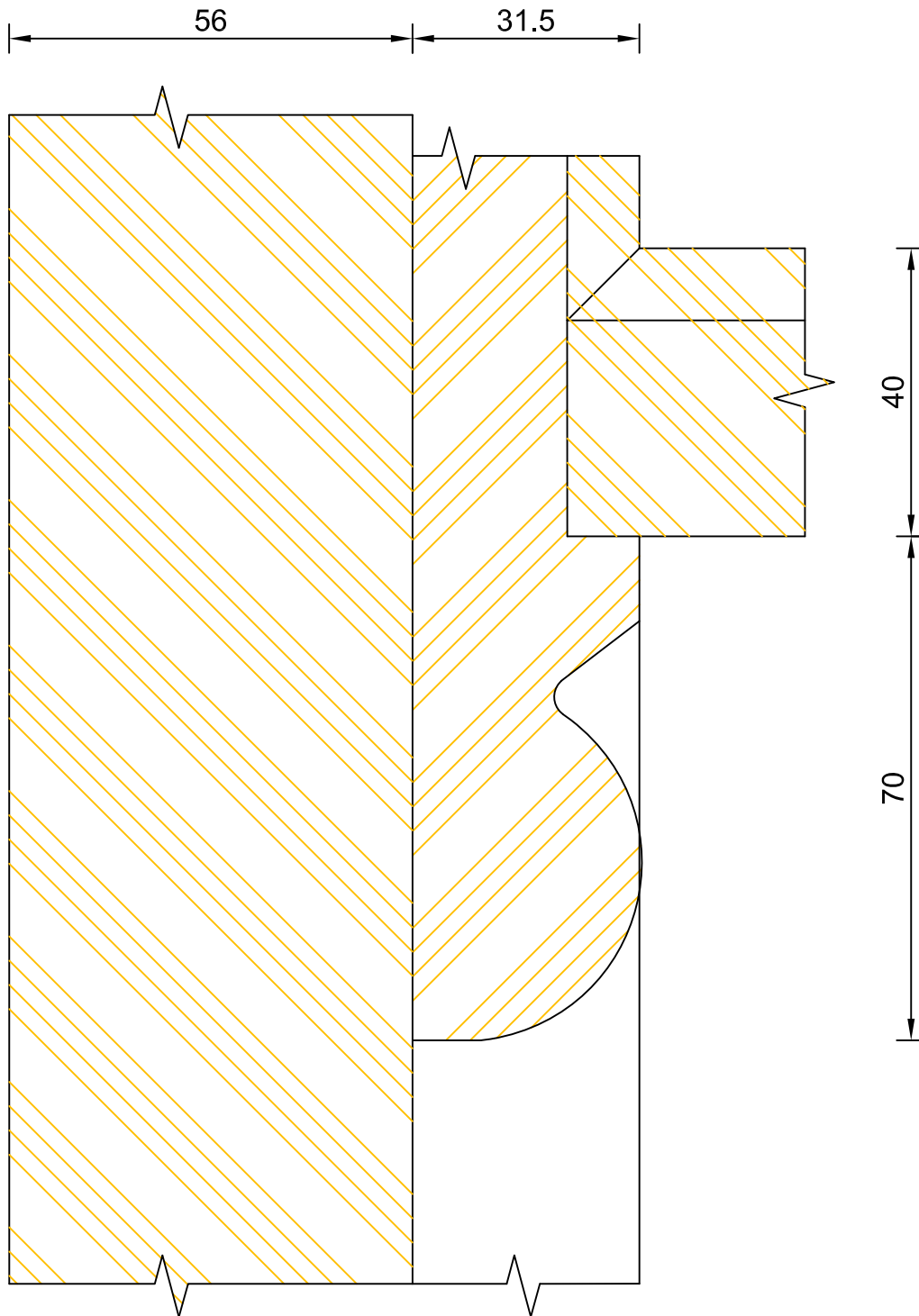
Horn Design: ELSDON
 Top Sash Horn Viewed From Outside



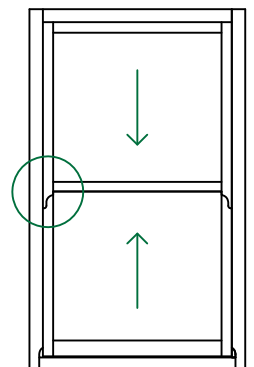
**Heritage Single Glazed Sliding Sash Spiral Balance
 Horns to Top Sash Only - Type E (Design Option)**

DIMENSIONS	PLOT SIZE	SCALE	DATE	REV	DWG NO.
MM	A4	1:1	10.04.2018	A	3008.4

Please consider the environment before printing



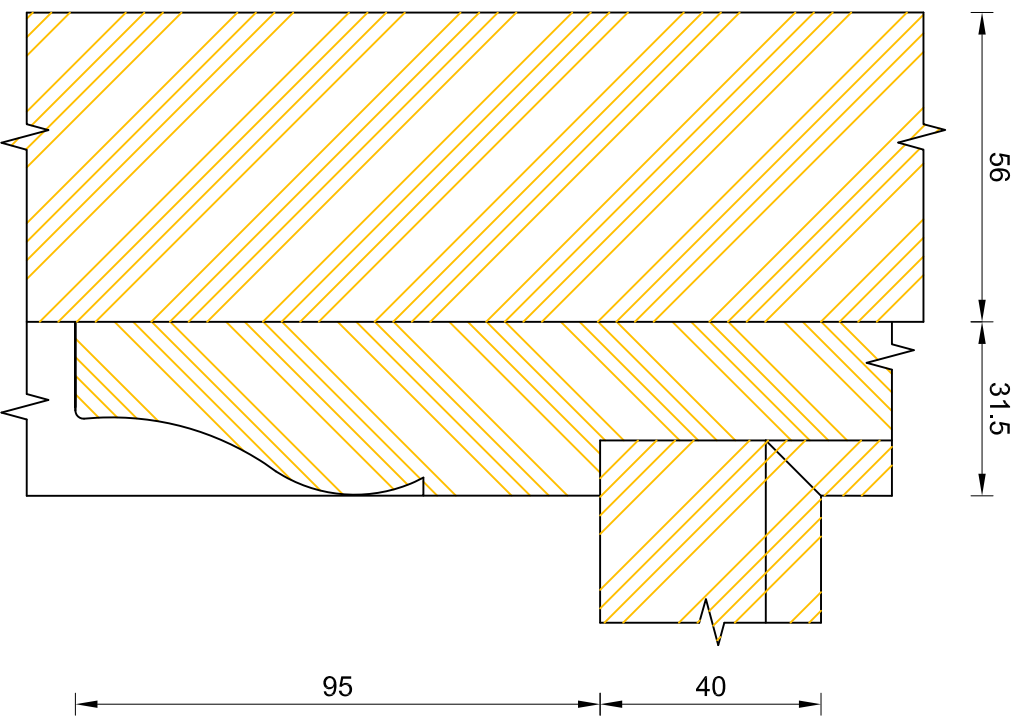
Horn Design: FARNHAM
 Top Sash Horn Viewed From Outside



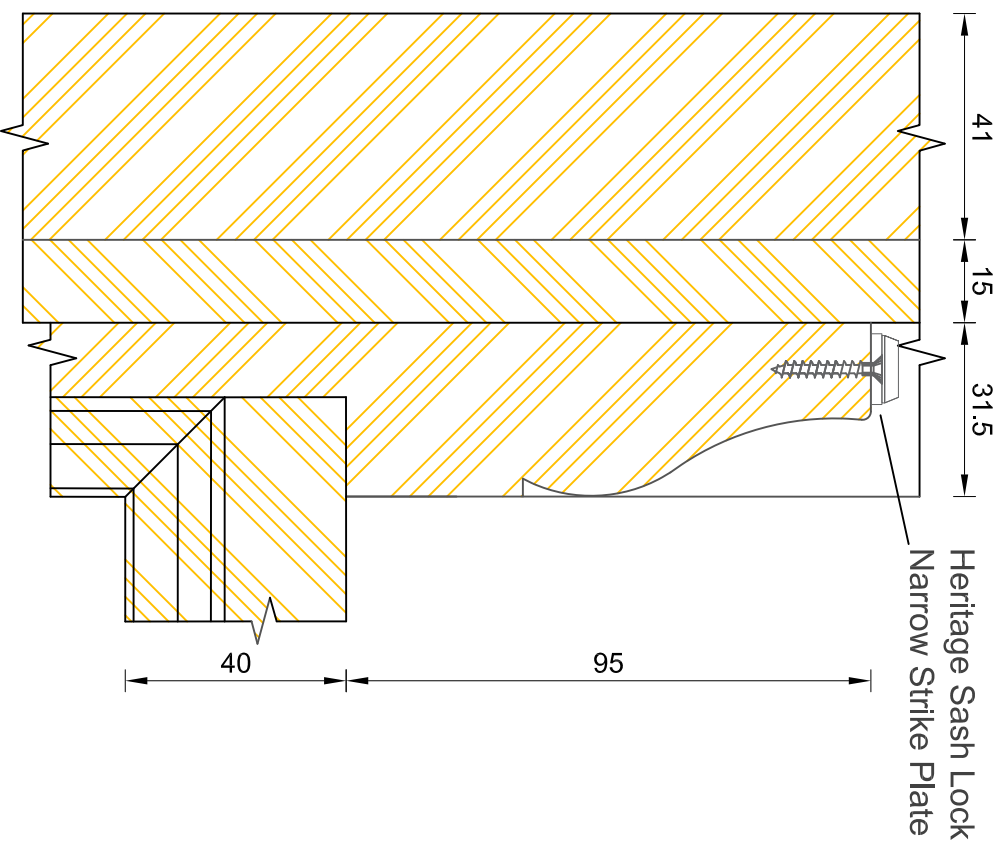
**Heritage Single Glazed Sliding Sash Spiral Balance
 Horns to Top Sash Only - Type F (Design Option)**

DIMENSIONS	PLOT SIZE	SCALE	DATE	REV	DWG NO.
MM	A4	1:1	10.04.2018	A	3008.5

Please consider the environment before printing



Horn Design: AYDON
Top Sash Horn Viewed From Outside



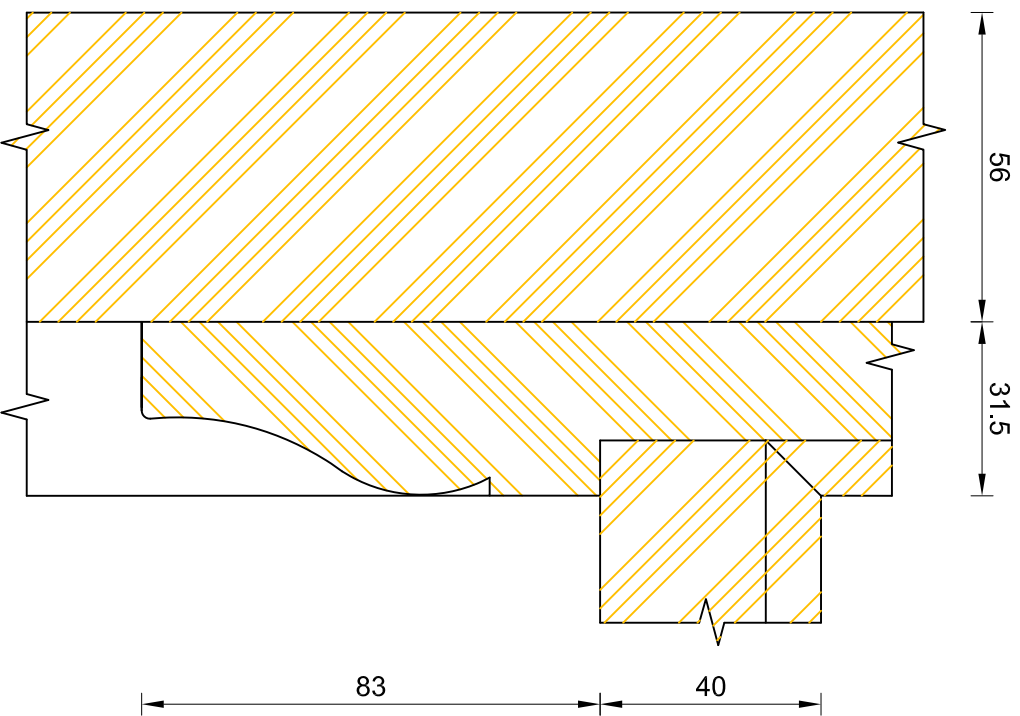
Horn Design: AYDON
Bottom Sash Horn Viewed From Inside

Heritage Single Glazed Sliding Sash Spiral Balance
Horns to Top & Bottom Sashes - Type A (Design Option)

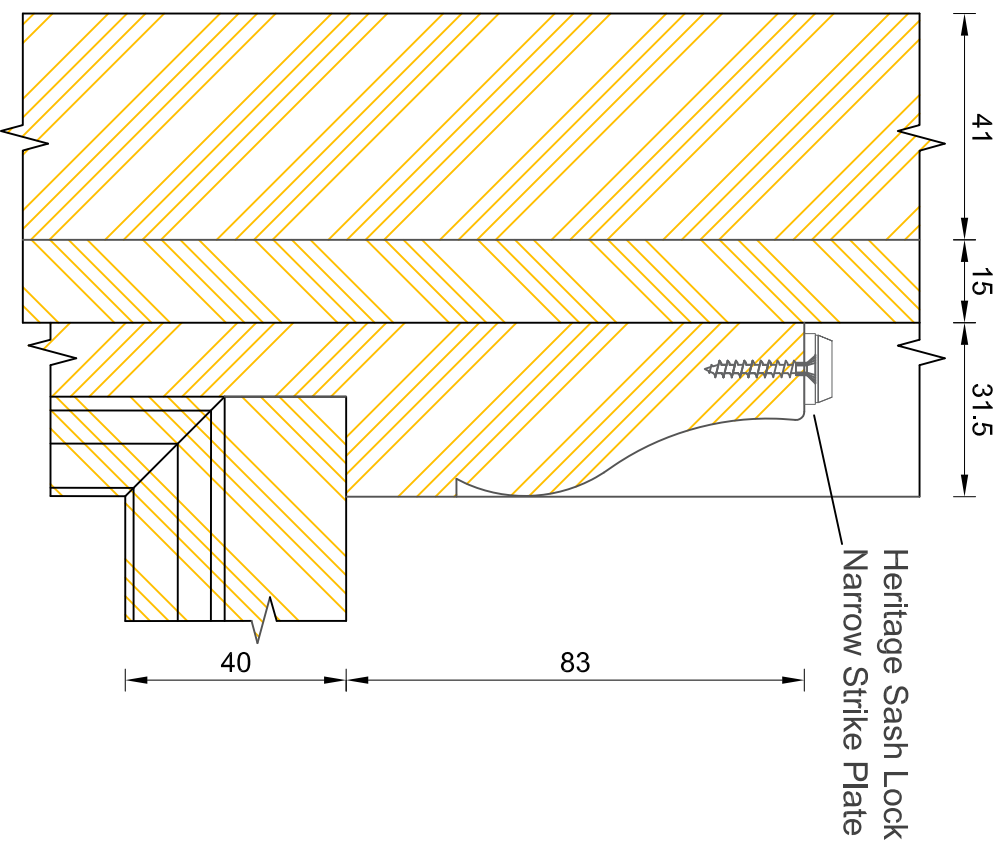
DIMENSIONS	PLOT SIZE	SCALE	DATE	REV	DWG. NO.
MM	A3	1:1	10.04.2018	A	3008.6

Please consider the environment before printing





Horn Design: BELSAY
Top Sash Horn Viewed From Outside



Horn Design: BELSAY
Bottom Sash Horn Viewed From Inside

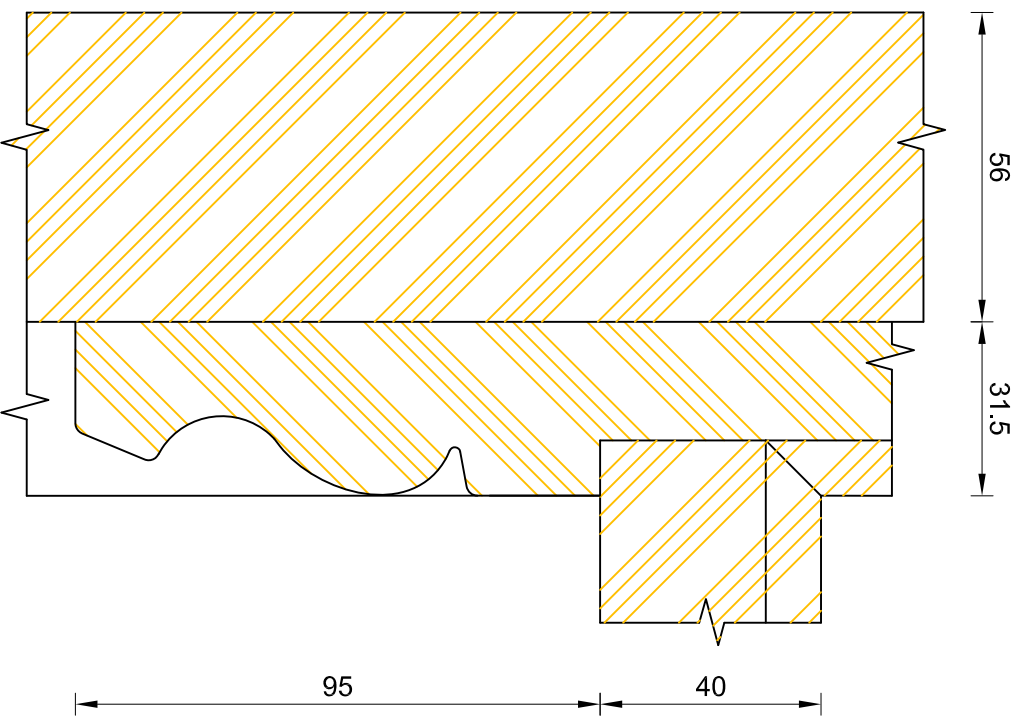
Heritage Single Glazed Sliding Sash Spiral Balance
Horn to Top & Bottom Sashes - Type B (Std Design)

DIMENSIONS	PLOT SIZE	SCALE	DATE	REV	DWG. NO.
MM	A3	1:1	10.04.2018	A	3008.7

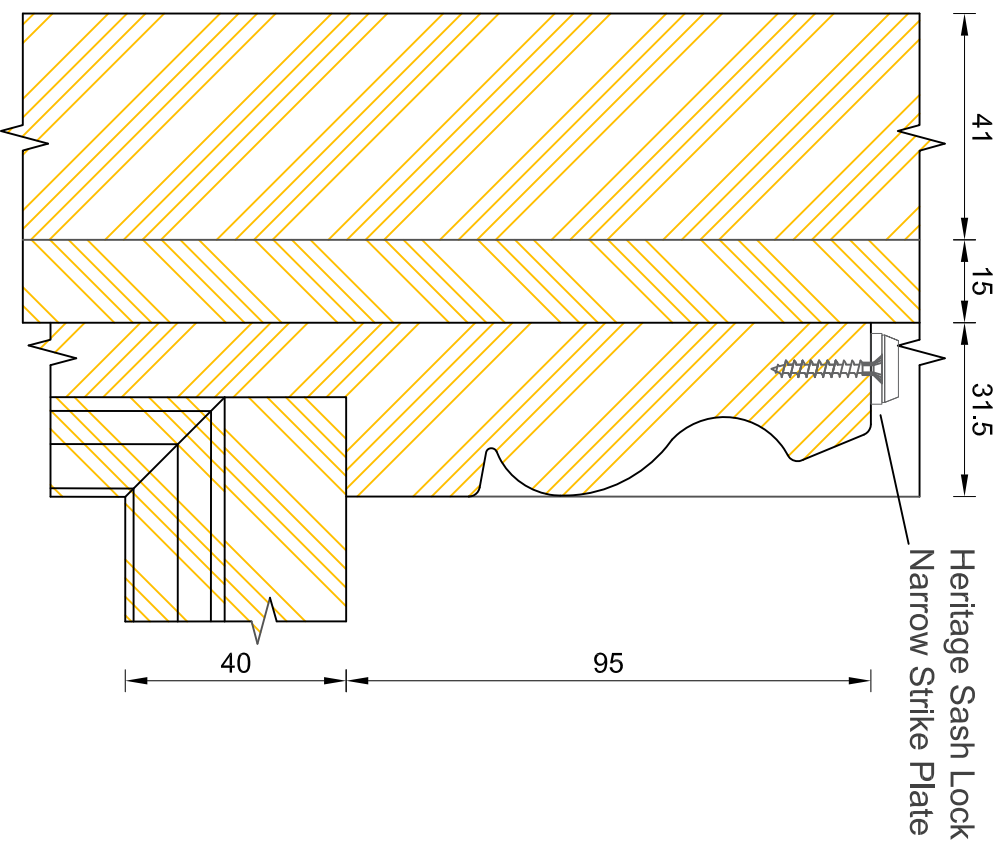
 Please consider the environment before printing



Bereco



Horn Design: CAMBER
Top Sash Horn Viewed From Outside



Horn Design: CAMBER
Bottom Sash Horn Viewed From Inside

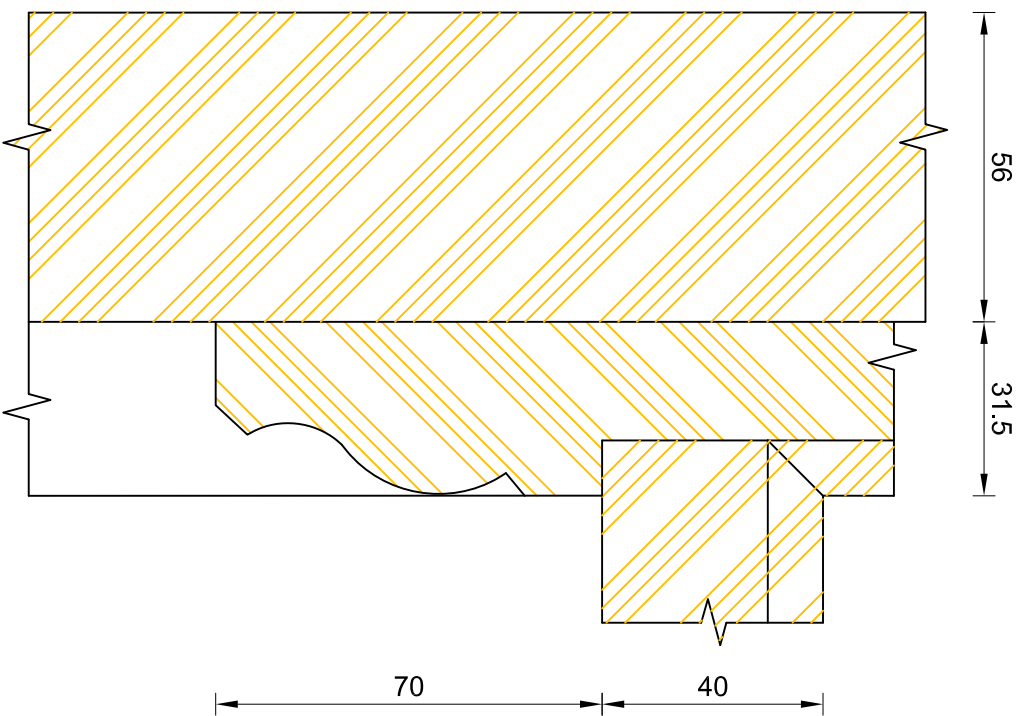
Heritage Single Glazed Sliding Sash Spiral Balance
Horns to Top & Bottom Sashes - Type C (Design Option)

DIMENSIONS	PLOT SIZE	SCALE	DATE	REV	DWG. NO.
MM	A3	1:1	10.04.2018	A	3008.8

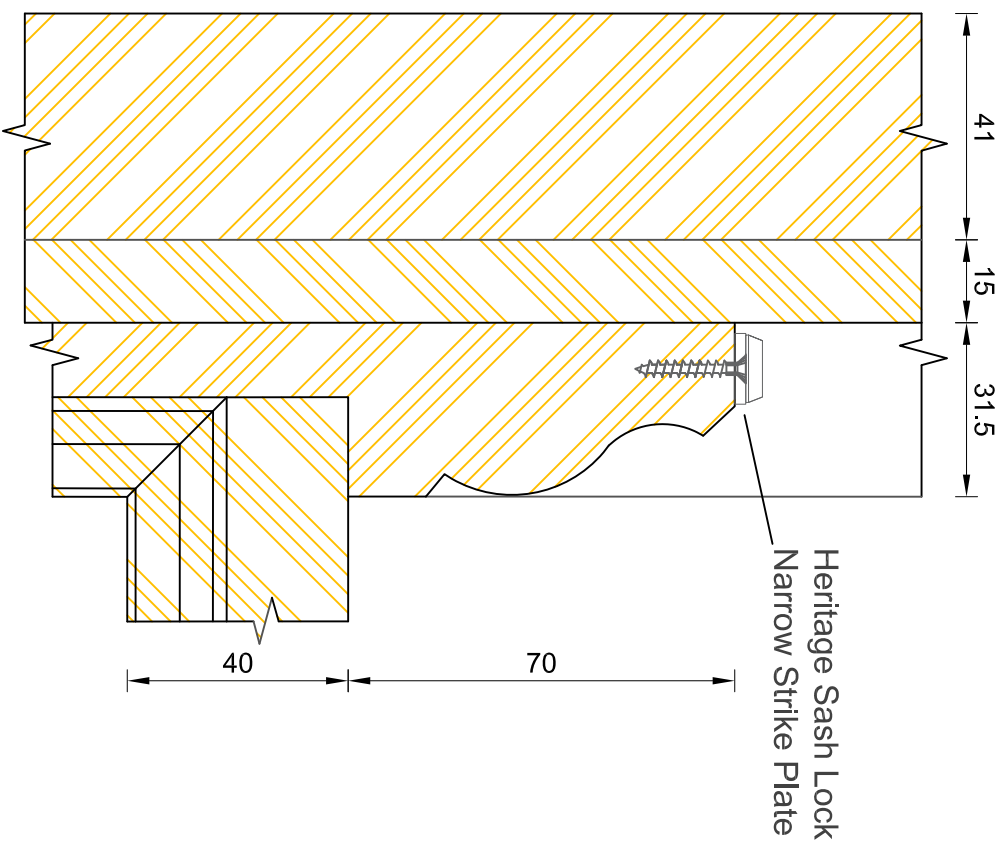
Please consider the environment before printing



Bereco



Horn Design: DALTON
Top Sash Horn Viewed From Outside



Horn Design: DALTON
Bottom Sash Horn Viewed From Inside



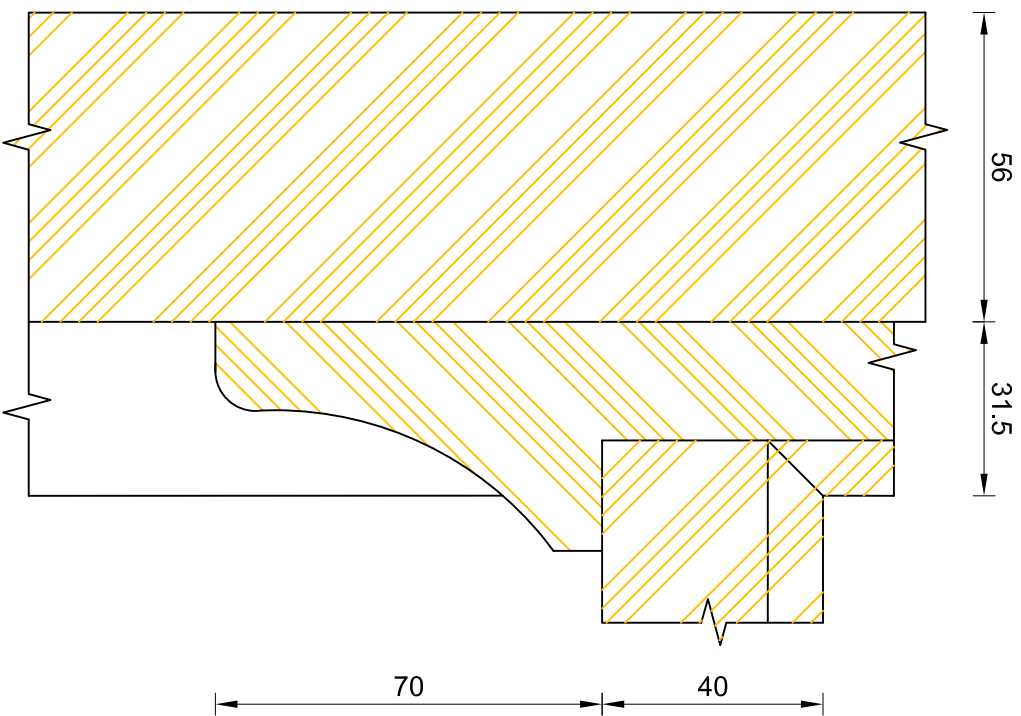
Bereco

Heritage Single Glazed Sliding Sash Spiral Balance
Horns to Top & Bottom Sashes - Type D (Design Option)

DIMENSIONS	PLOT SIZE	SCALE	DATE	REV	DWG. NO.
MM	A3	1:1	10.04.2018	A	3008.9

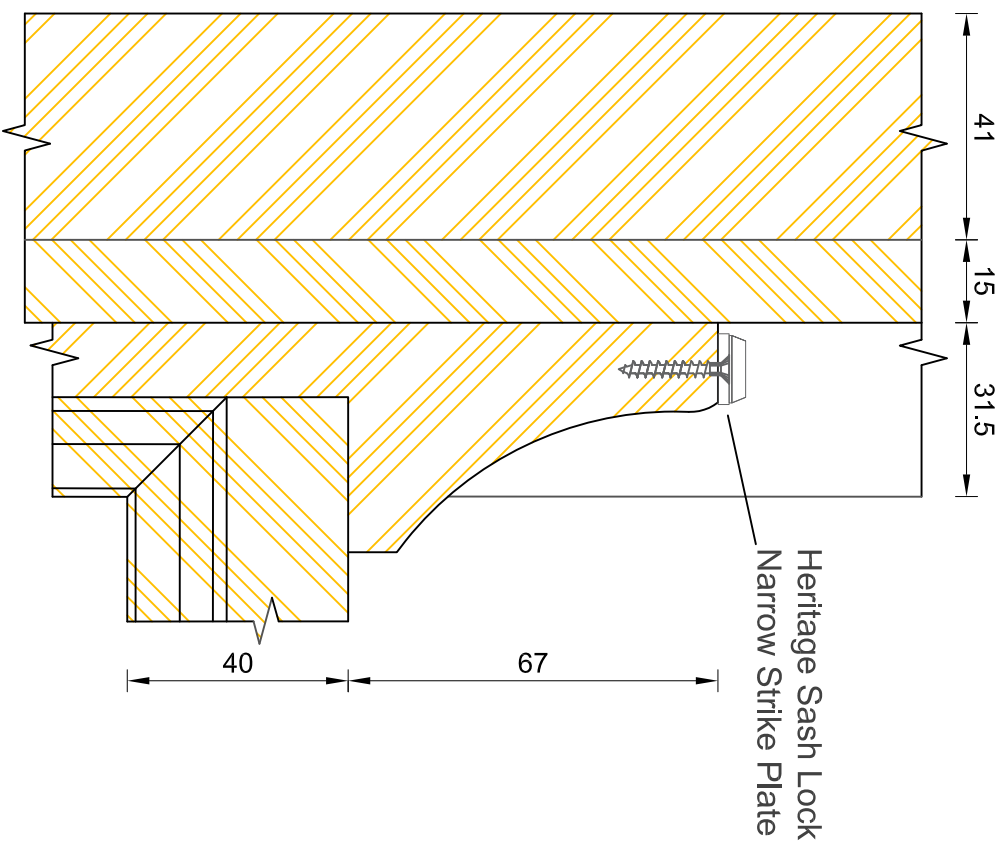
Please consider the environment before printing

3008.9



Horn Design: ELSDON

Top Sash Horn Viewed From Outside



Horn Design: ELSDON

Bottom Sash Horn Viewed From Inside

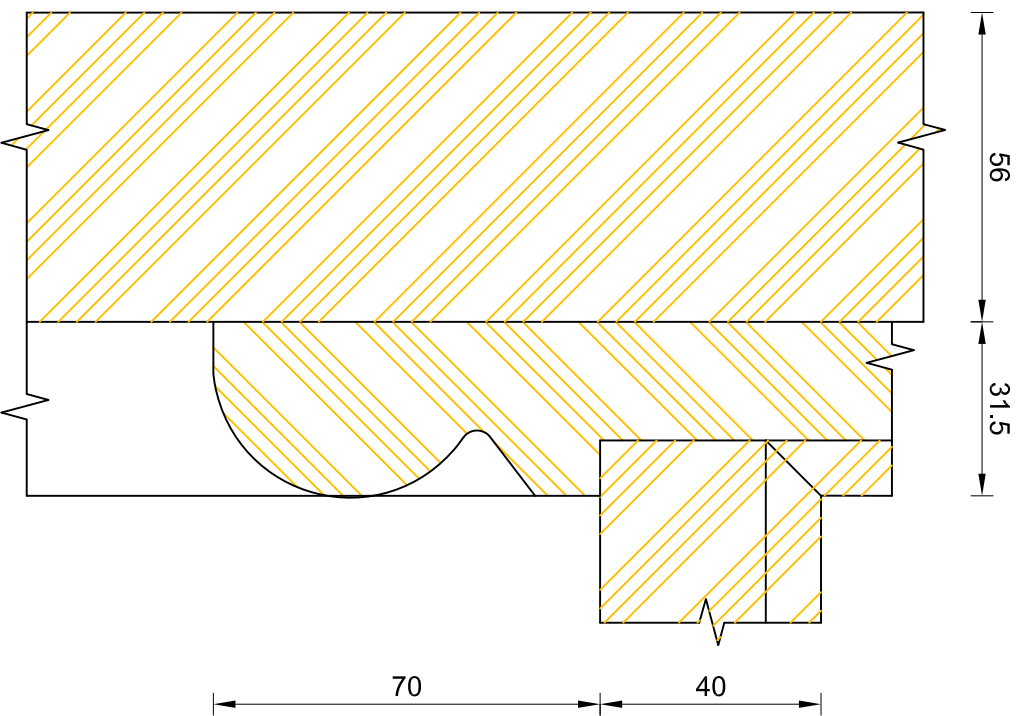
Heritage Single Glazed Sliding Sash Spiral Balance
Horns to Top & Bottom Sashes - Type E (Design Option)

DIMENSIONS	PLOT SIZE	SCALE	DATE	REV	DWG. NO.
MM	A3	1:1	10.04.2018	A	3008.10

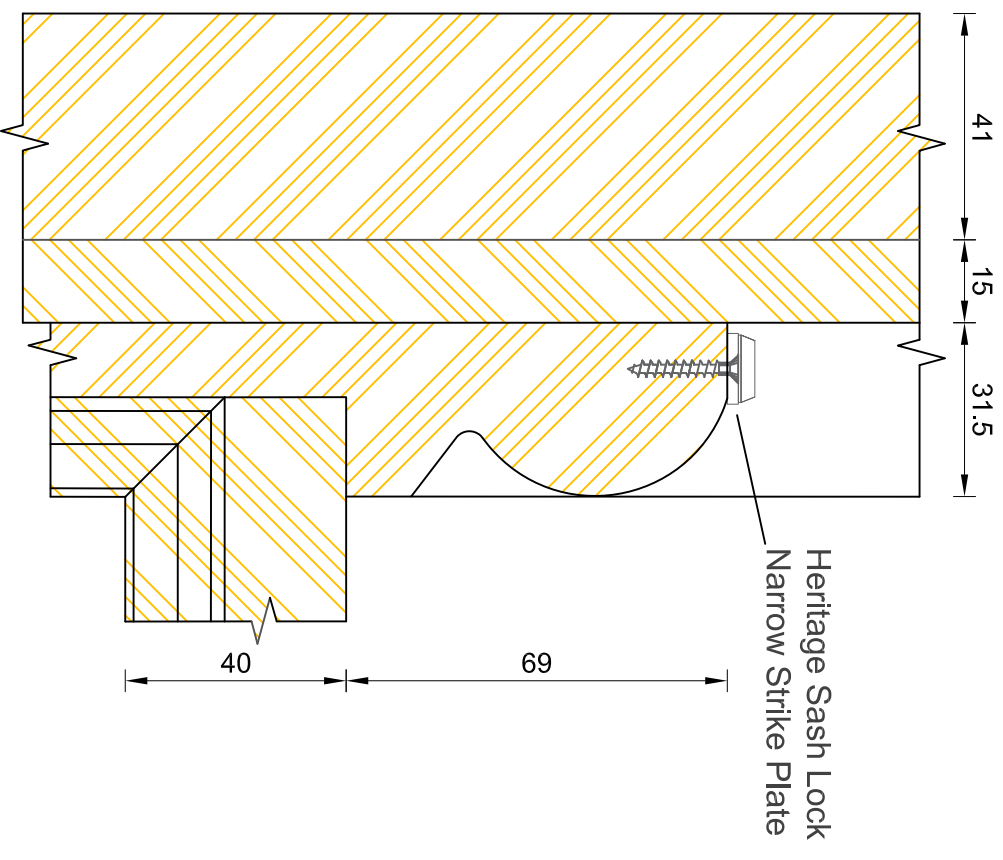
Please consider the environment before printing



Bereco



Horn Design: FARNHAM
 Top Sash Horn Viewed From Outside



Horn Design: FARNHAM
 Bottom Sash Horn Viewed From Inside

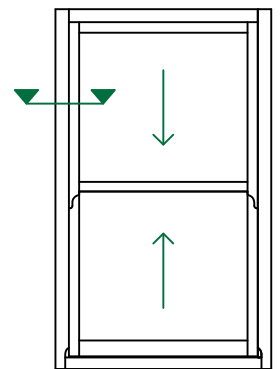
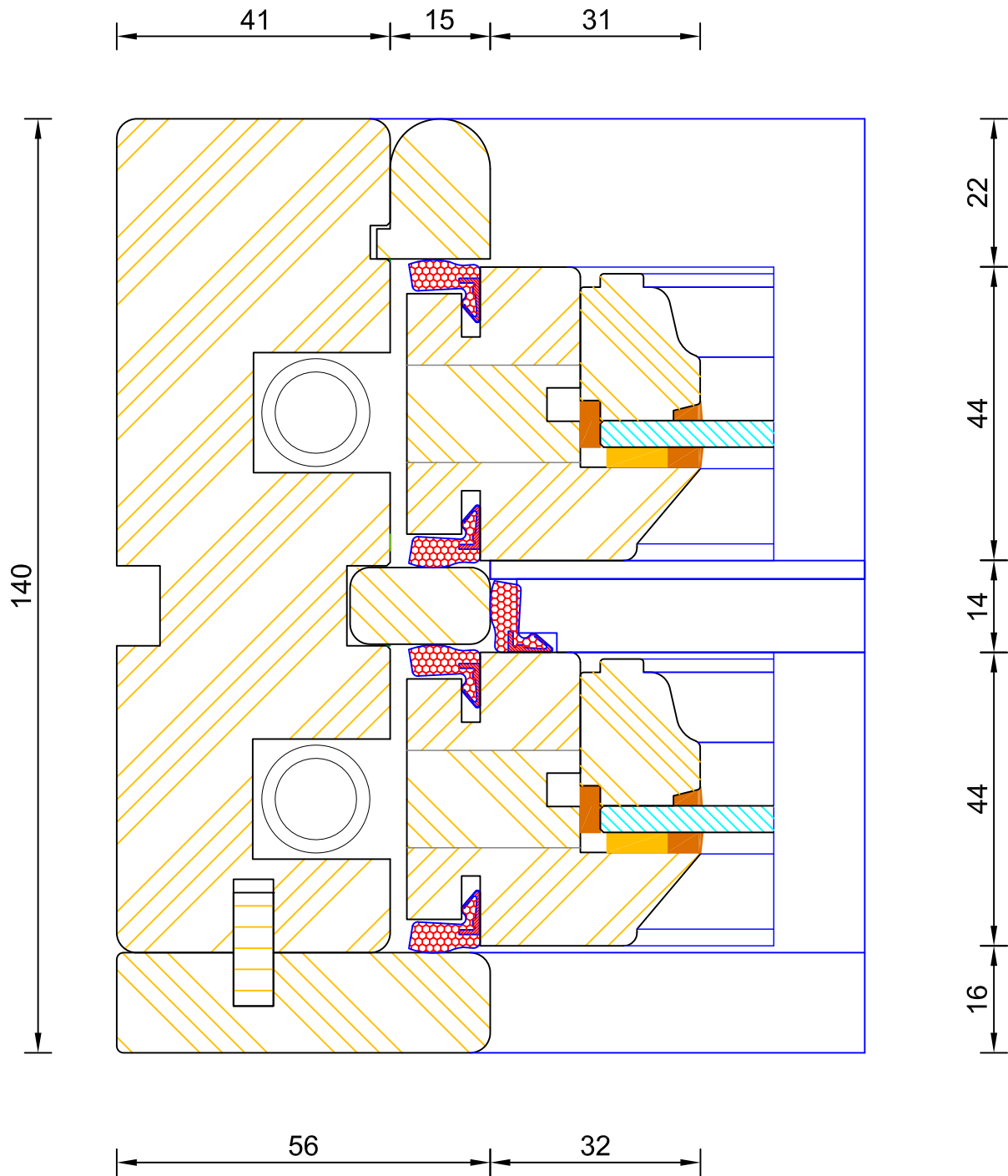
Heritage Single Glazed Sliding Sash Spiral Balance
 Horns to Top & Bottom Sashes - Type F (Design Option)

DIMENSIONS	PLOT SIZE	SCALE	DATE	REV	DWG. NO.
MM	A3	1:1	10.04.2018	A	3008.11

Please consider the environment before printing



Bereco



**Heritage Single Glazed Sliding Sash Spiral Balance
Frame & Sash Jamb**

DIMENSIONS	PLOT SIZE	SCALE	DATE	REV	DWG NO.
MM	A4	1:1	01.01.2019	B	3006

Please consider the environment before printing



Bereco

Heritage Single Glazed Sliding Sash Spiral Balance Frame & Sash Mullion (Back to Back Jambs)

DIMENSIONS	PLOT SIZE	SCALE	DATE	REV	DWG. NO.
MM	A3	1:1	01.01.2019	B	3007

Please consider the environment before printing

