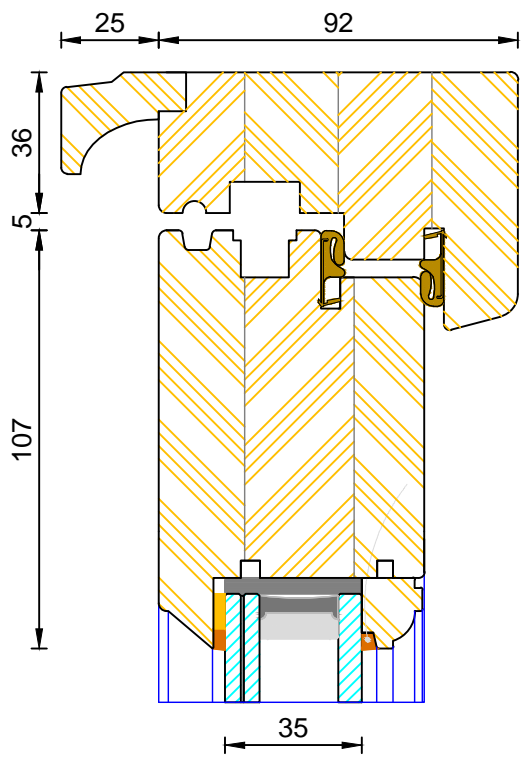
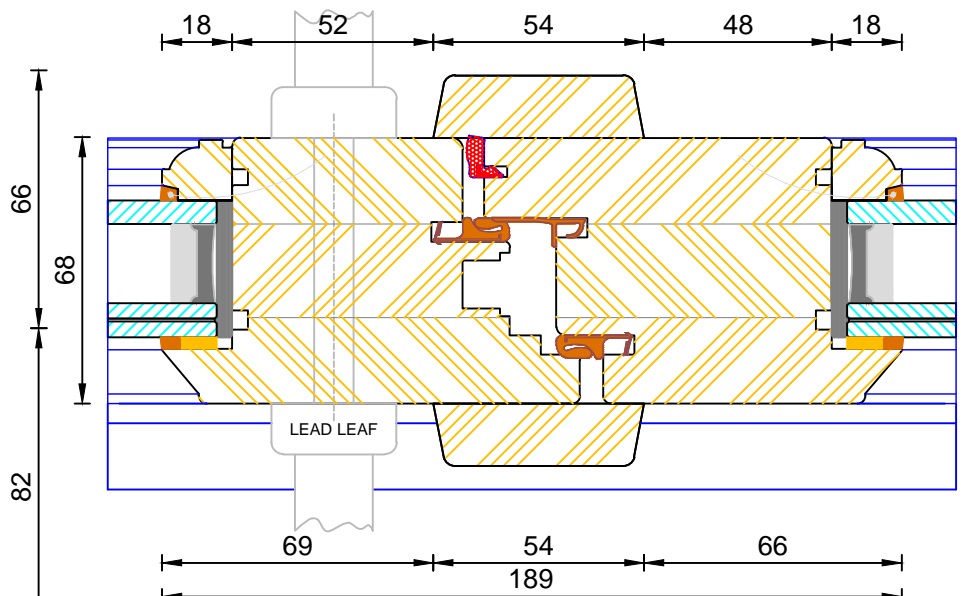


Section A-A

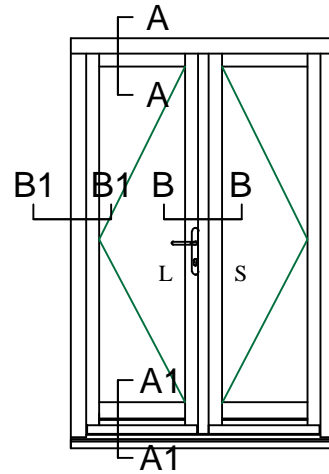
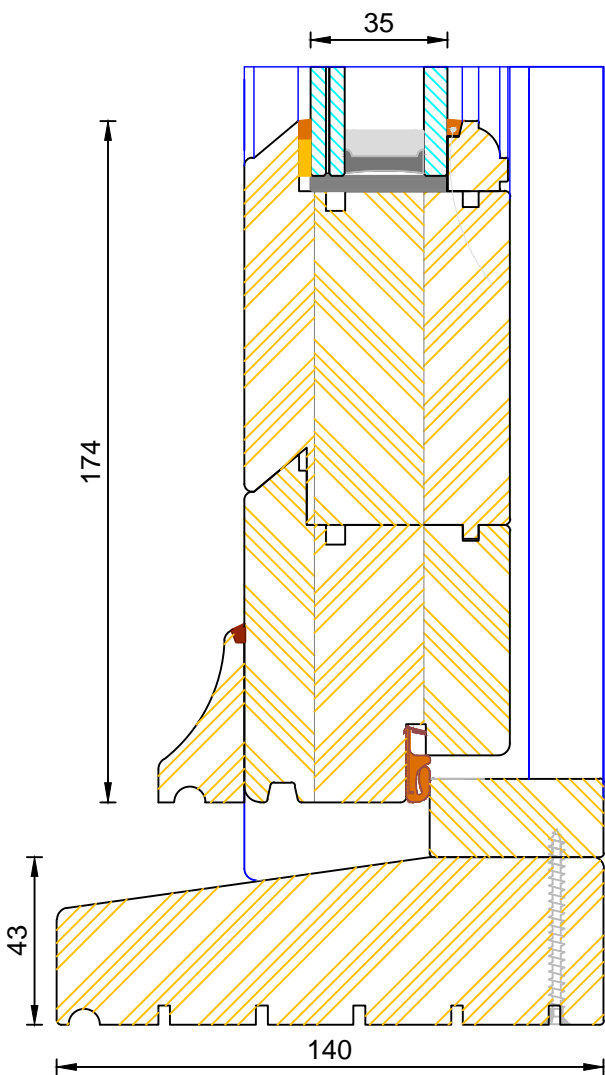


Section B-B

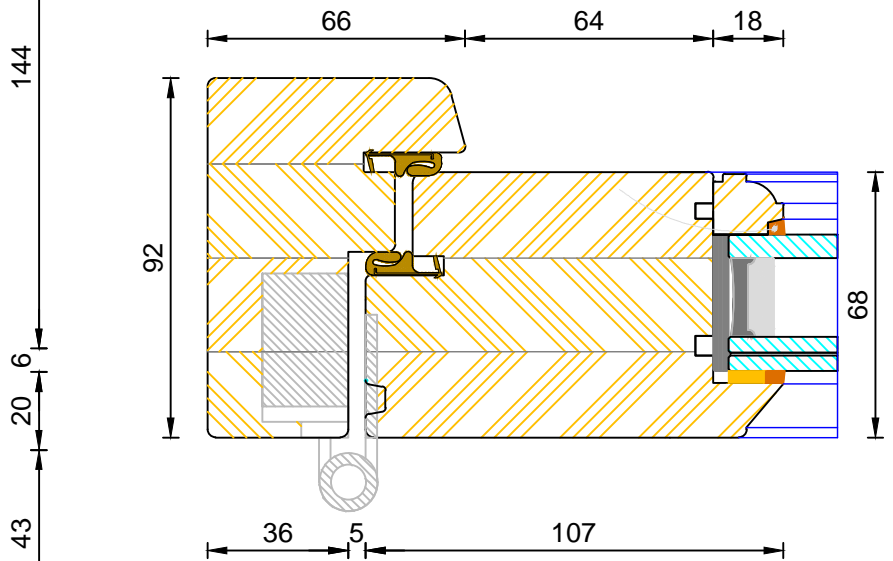


Note: Flying mullion detail used as standard on doors <2300mm high unless otherwise specified. For full sectional details please refer to our standard double glazed sections

Section A1-A1



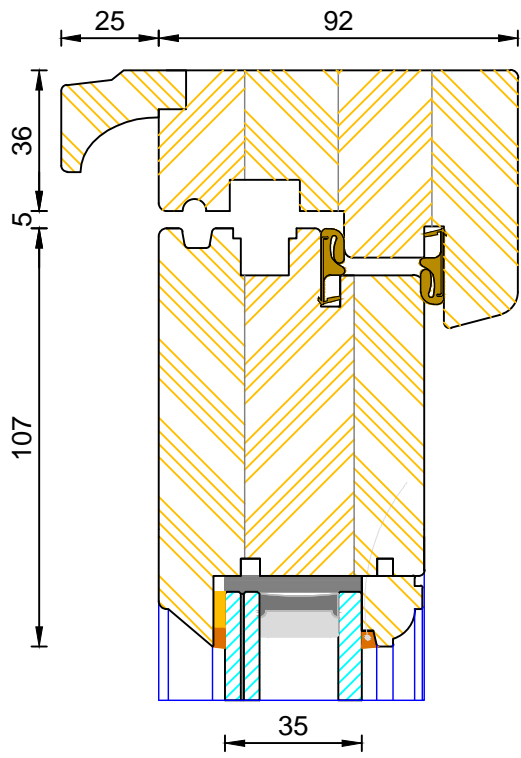
Section B1-B1



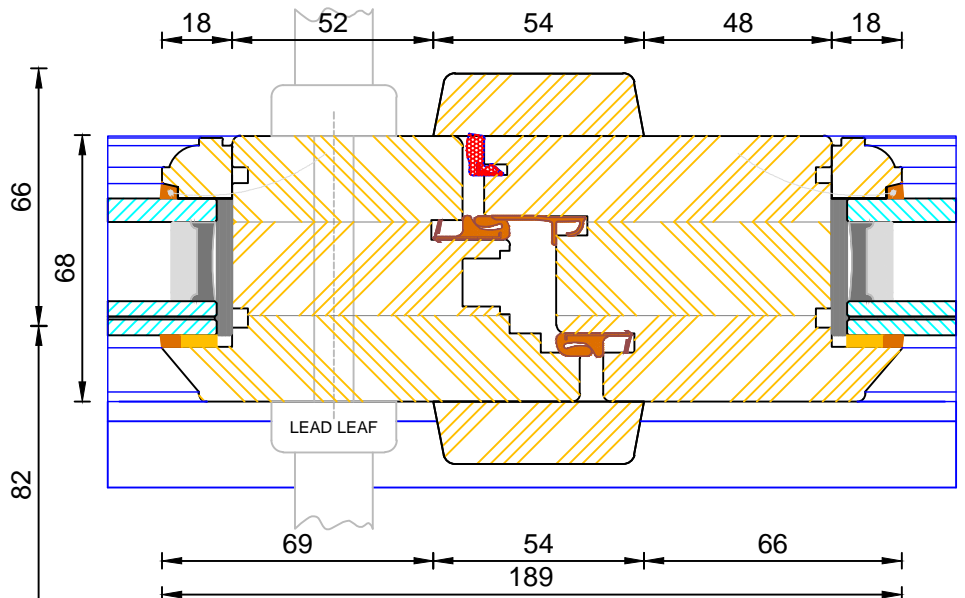
Typical sections showing acoustic glass - 8.8/20ar/6ESGT (**39 dB**) For full sectional details please refer to our standard double glazed sections

DIMENSIONS	PLOT SIZE	SCALE	DATE	REV	DWG NO.
MM	A2	1:1	16.05.2017	A	2530

Section A-A

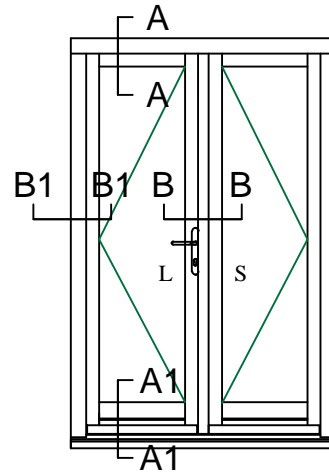
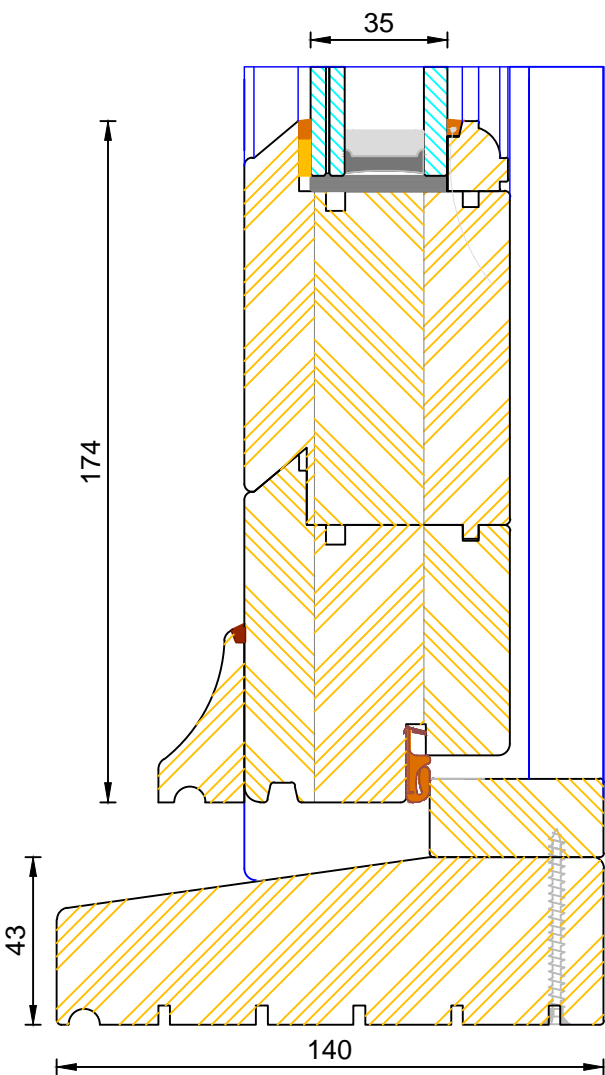


Section B-B

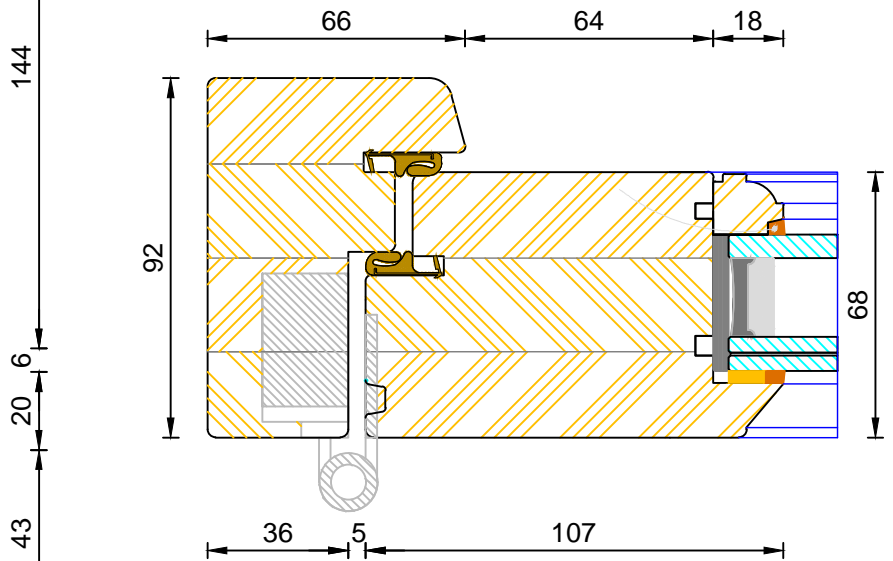


Note: Flying mullion detail used as standard on doors <2300mm high unless otherwise specified. For full sectional details please refer to our standard double glazed sections

Section A1-A1

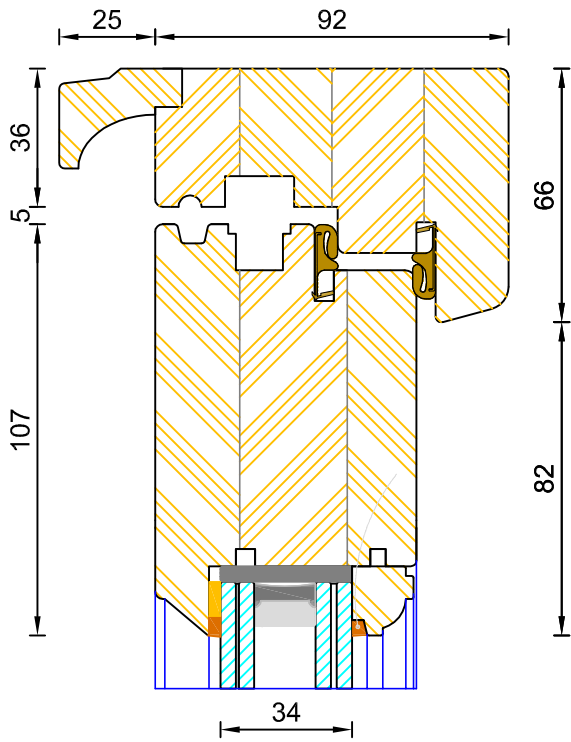


Section B1-B1

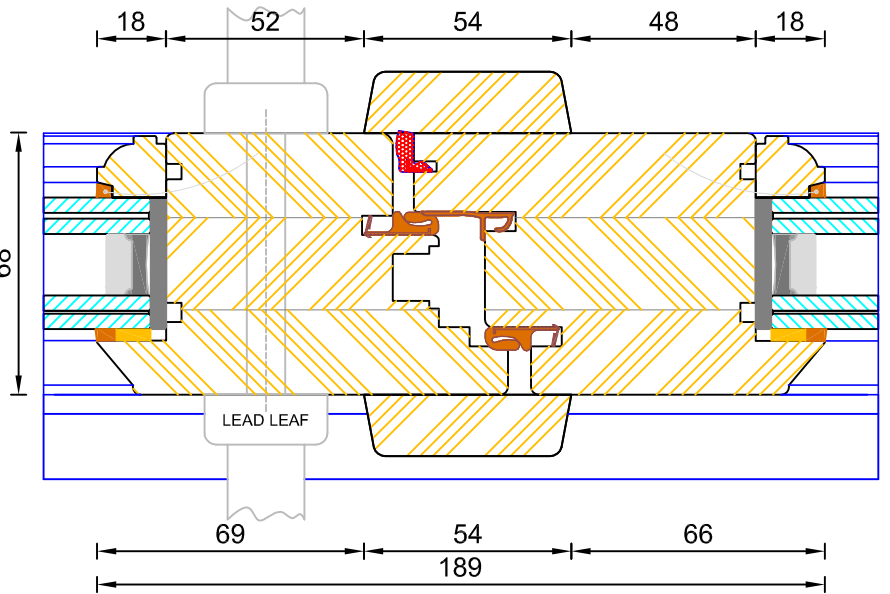


Typical sections showing acoustic glass - 8.8Aku/20ar/6ESGT (42 dB) For full sectional details please refer to our standard double glazed sections

Section A-A

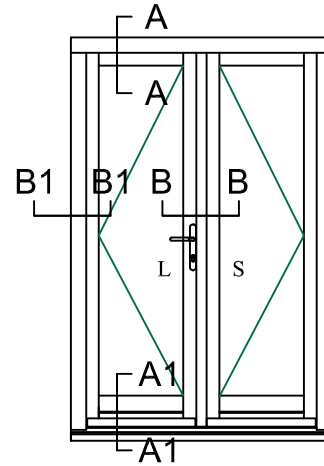
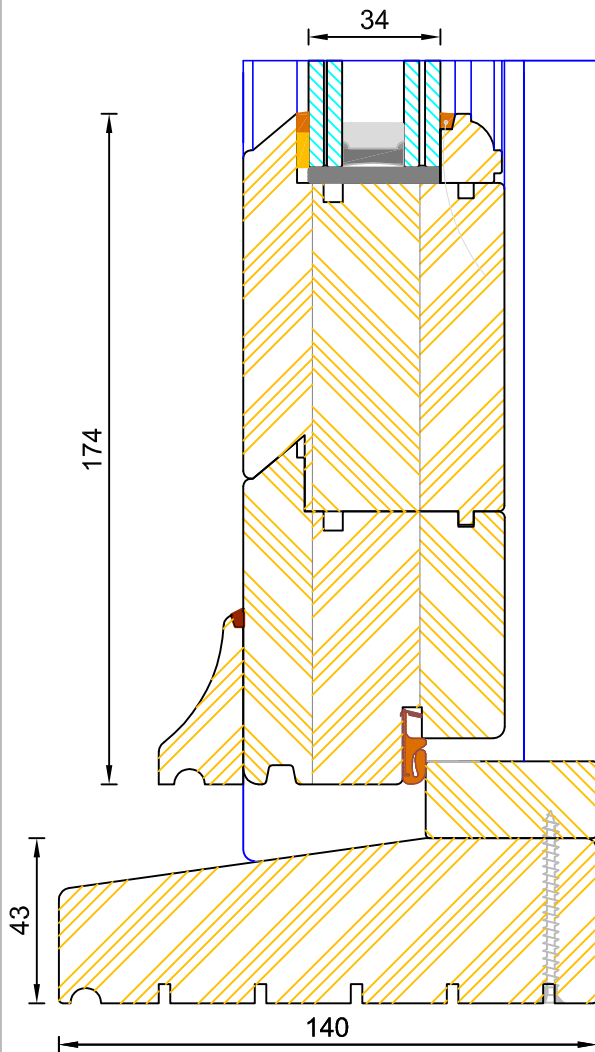


Section B-B

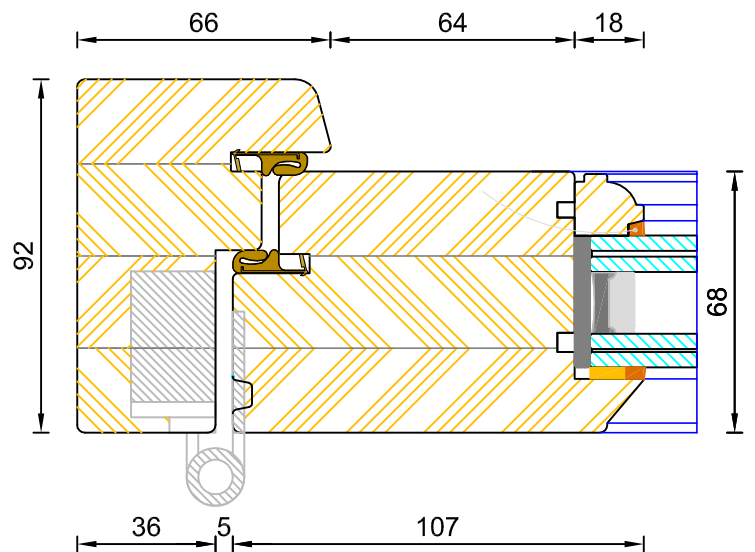


Note: Flying mullion detail used as standard on doors <2300mm high unless otherwise specified. For full sectional details please refer to our standard double glazed sections

Section A1-A1



Section B1-B1



Typical sections showing acoustic glass - 9.5/16Ar/8.8T(Aku) CG A 1.0 (45dB) For full sectional details please refer to our standard double glazed sections



Traditional Open Out Flush French Door
Frame & Leaf Sections - Acoustic Rating 42dB

DIMENSIONS	PLOT SIZE	SCALE	DATE	REV	DWG NO.
MM	A2	1:1	28.08.2019	B	2532
Please consider the environment before printing					