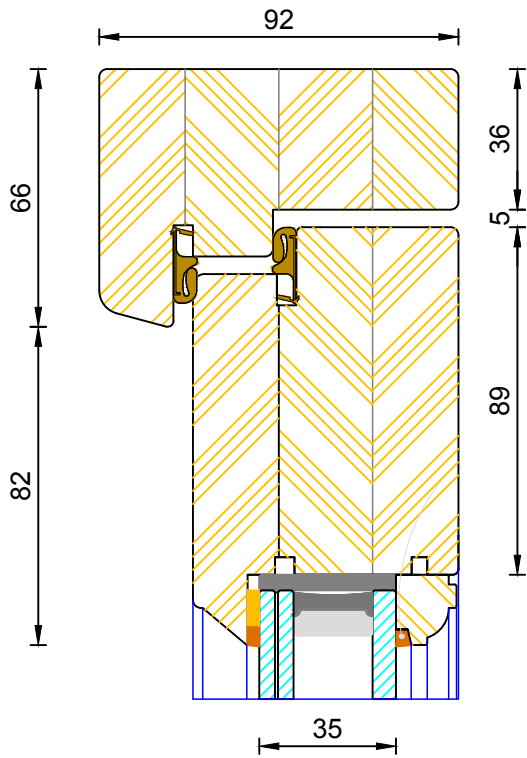
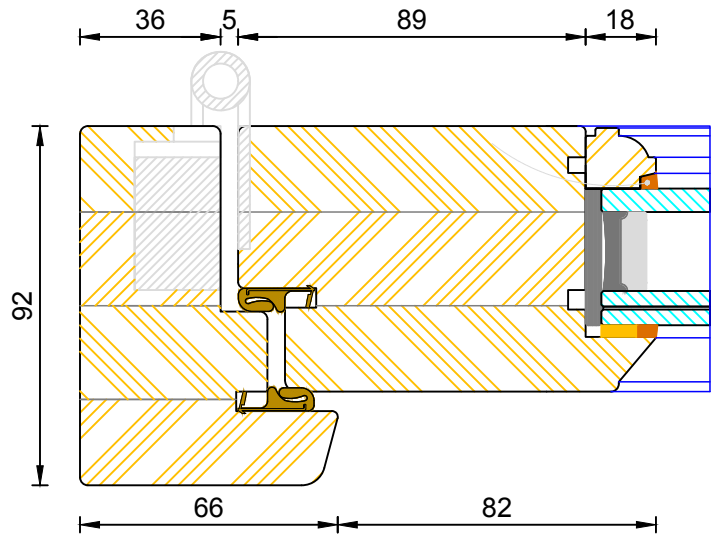


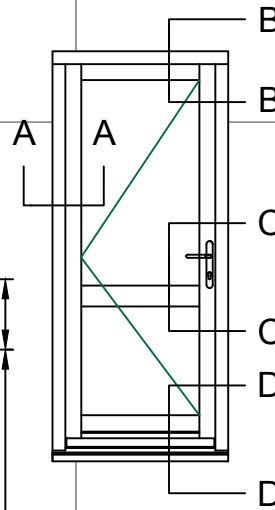
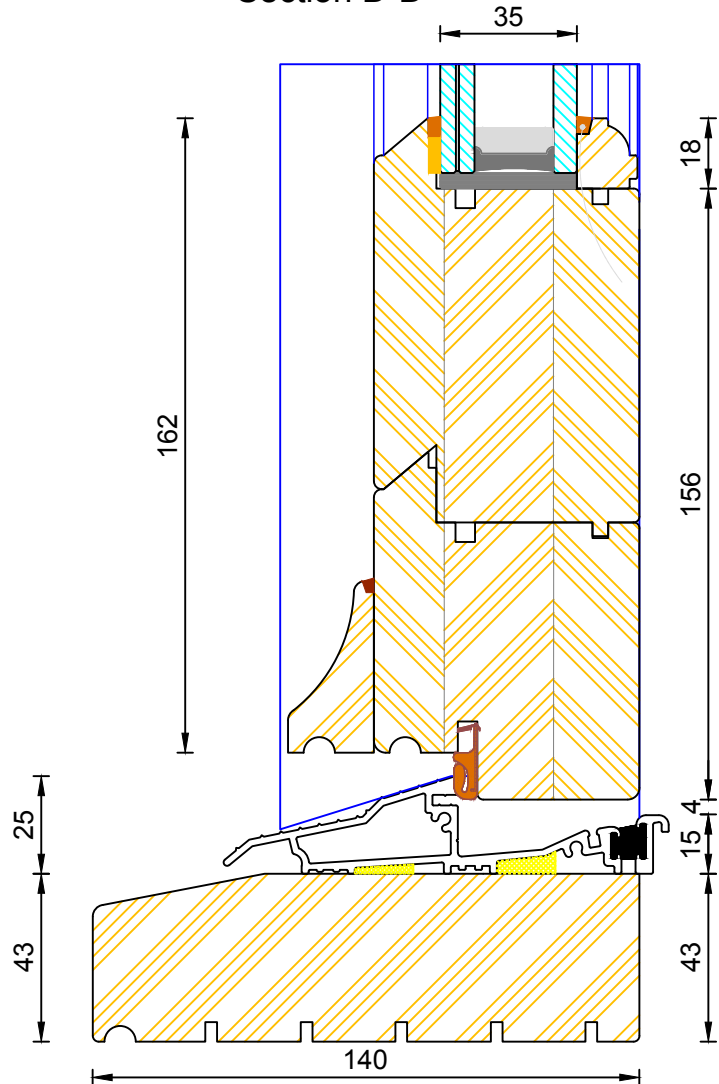
Section B-B



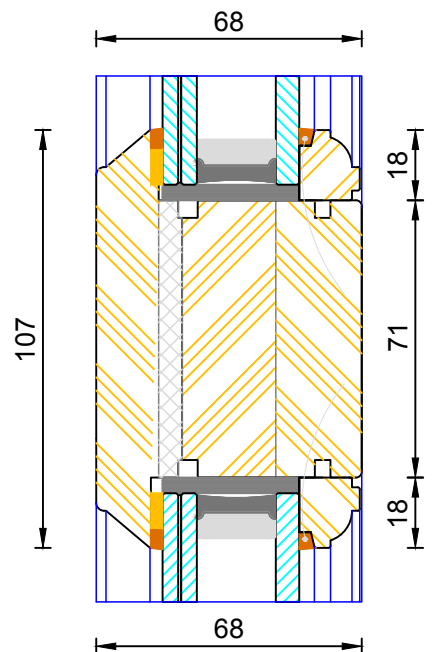
Section A-A



Section D-D

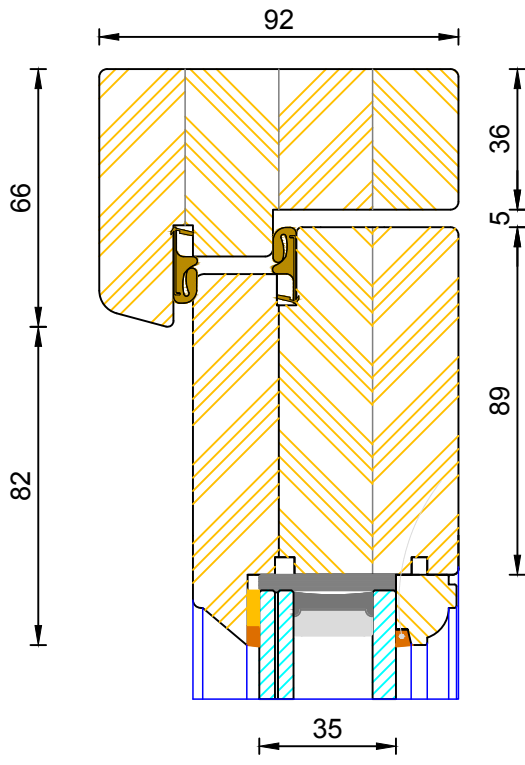


Section C-C

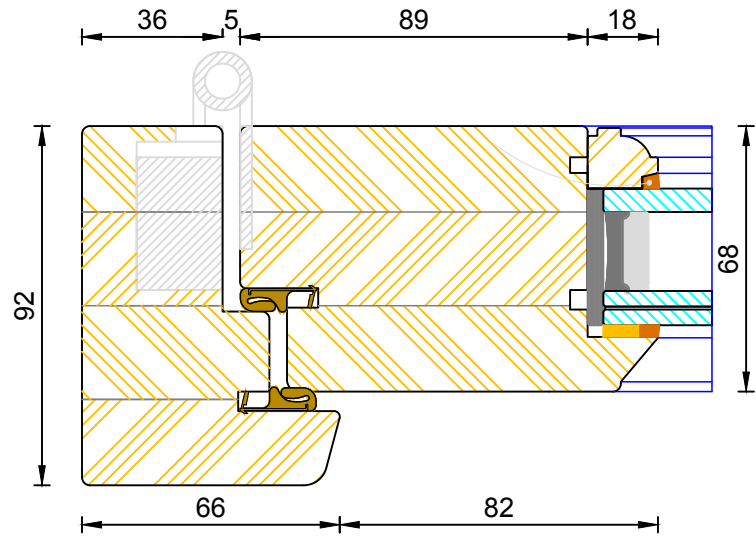


Typical sections showing acoustic glass - 8.8/20ar/6ESGT (**39 dB**) For full sectional details please refer to our standard double glazed sections

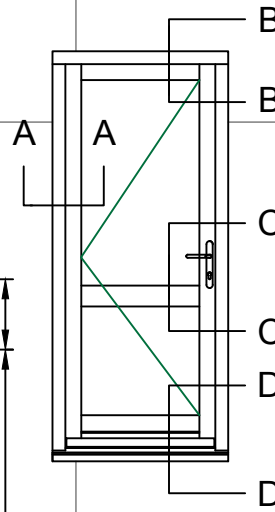
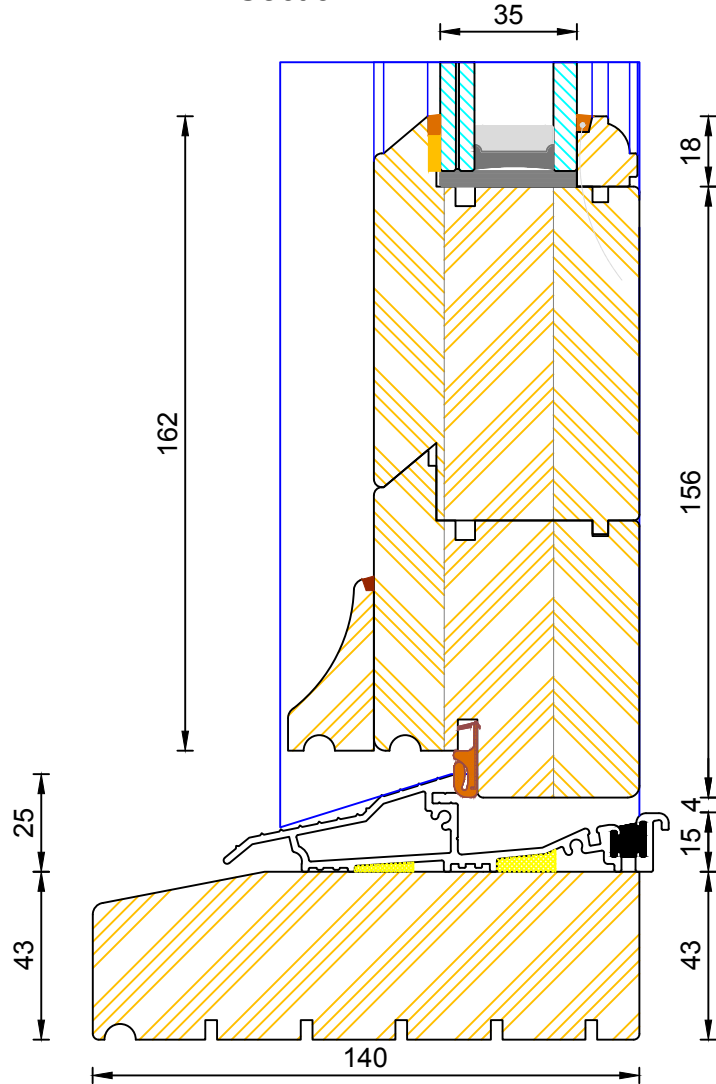
### Section B-B



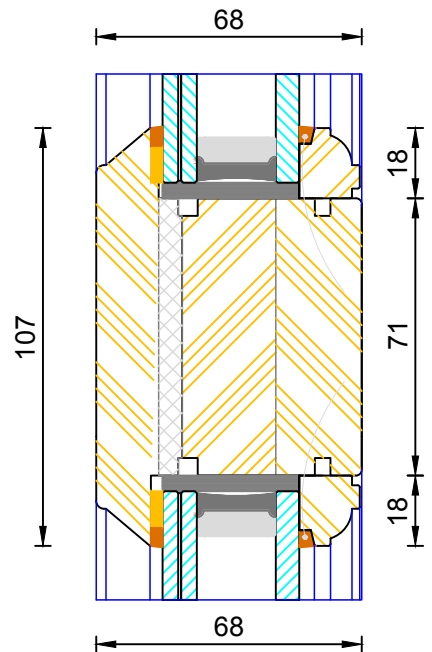
### Section A-A



### Section D-D



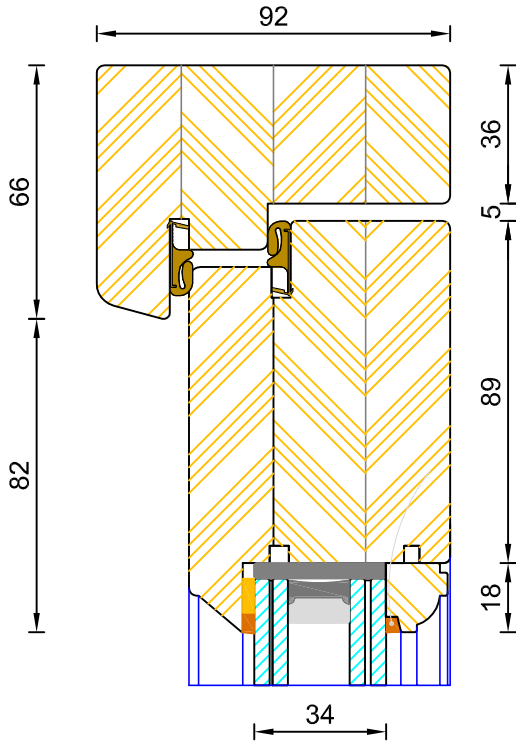
### Section C-C



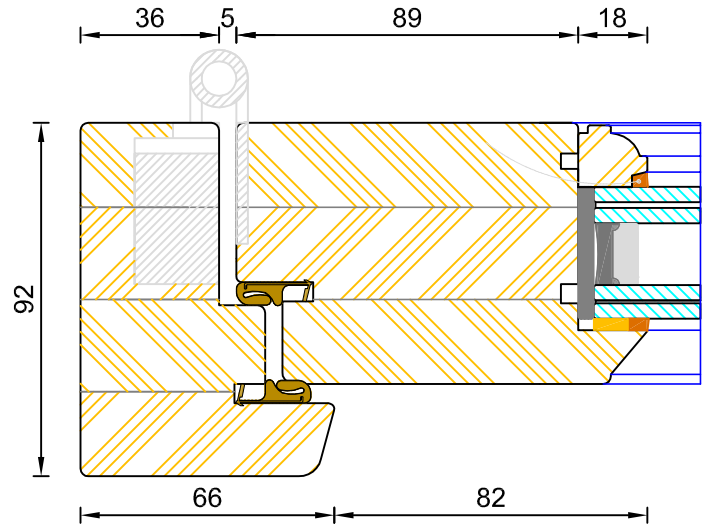
Typical sections showing acoustic glass - 8.8Aku/20ar/6ESGT (42 dB) For full sectional details please refer to our standard double glazed sections

DIMENSIONS	PLOT SIZE	SCALE	DATE	REV	DWG NO.
MM	A2	1:1	16.05.2017	A	2381

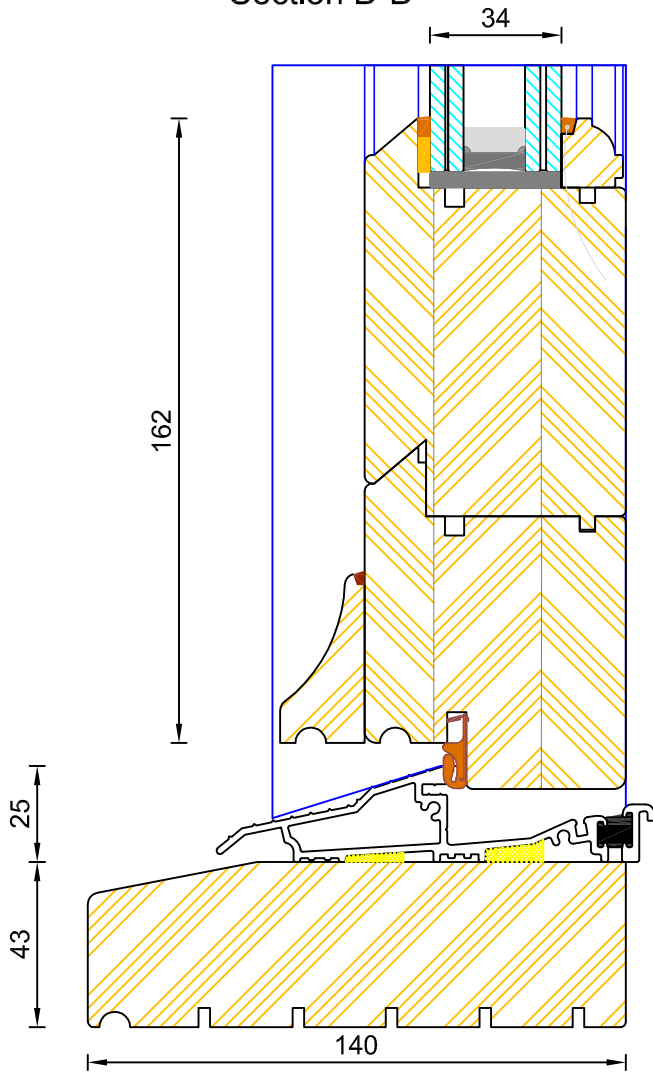
Section B-B



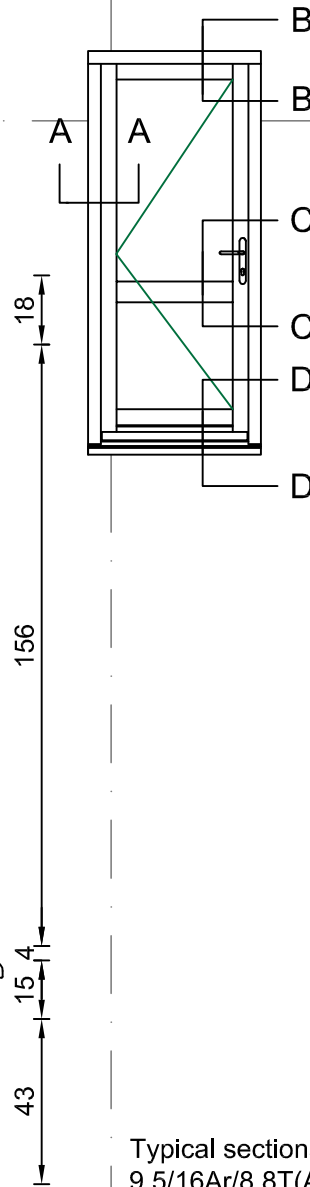
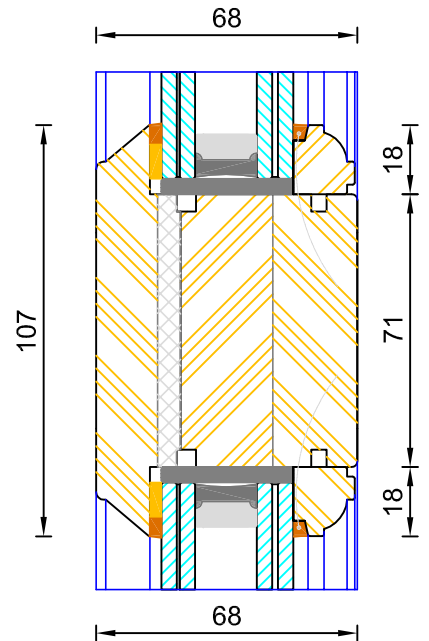
Section A-A



Section D-D



Section C-C



Typical sections showing acoustic glass - 9.5/16Ar/8.8T(Aku) CG A 1.0 (45dB) For full sectional details please refer to our standard double glazed sections

DIMENSIONS	PLOT SIZE	SCALE	DATE	REV	DWG NO.
MM	A2	1:1	29.08.2019	B	<b>2382</b>
Please consider the environment before printing					