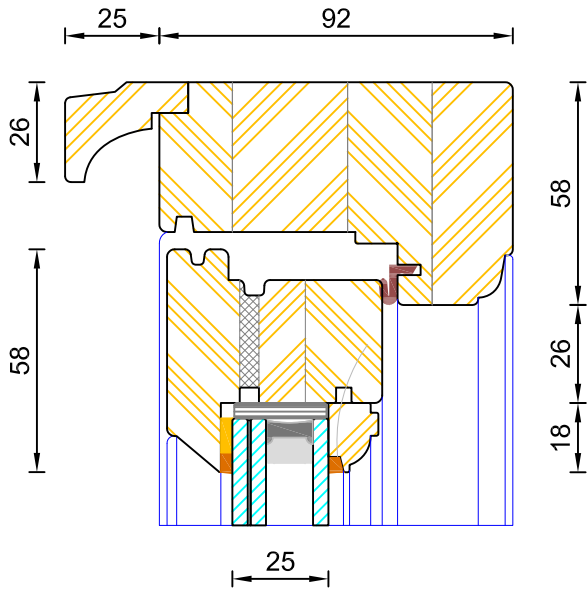
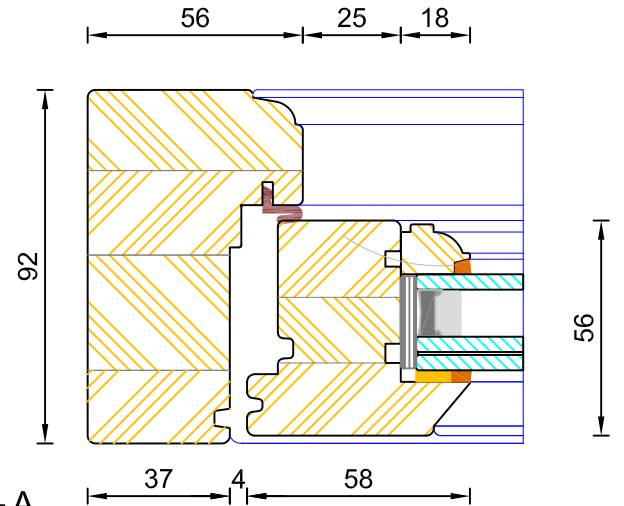


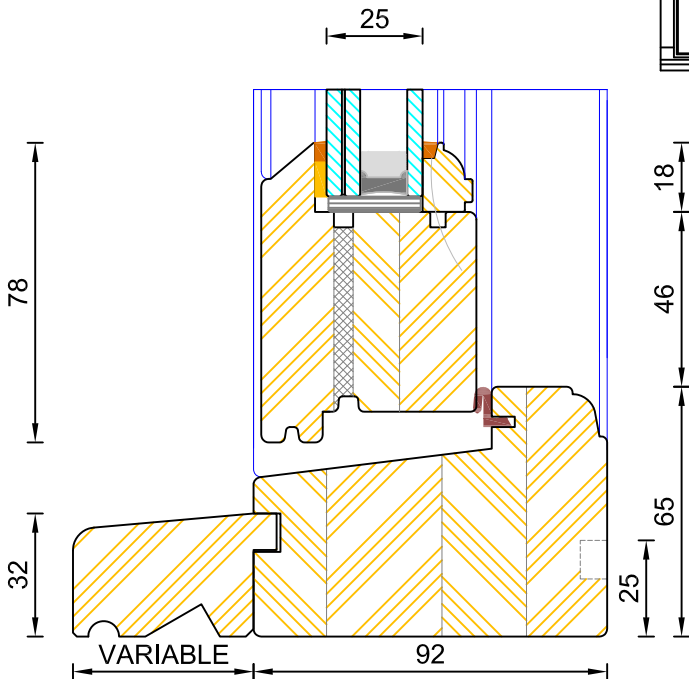
Section A-A



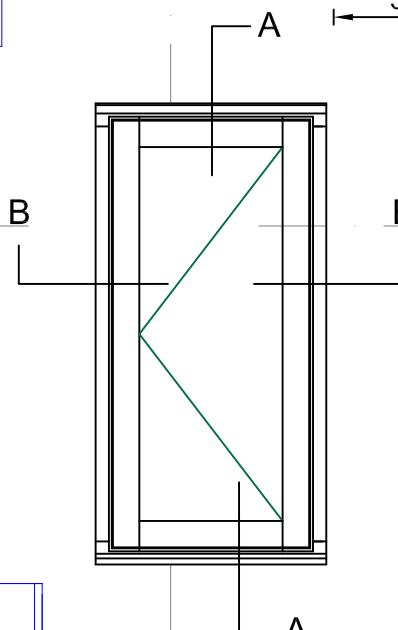
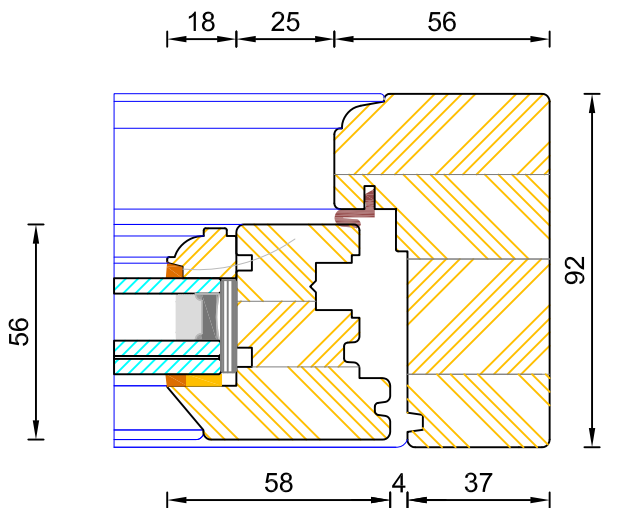
Section B-B



Section A-A



Section B-B



Typical sections showing acoustic glass - 8.8Aku/12ar/4T (39 dB)
 For full sectional details please refer to our standard double glazed sections

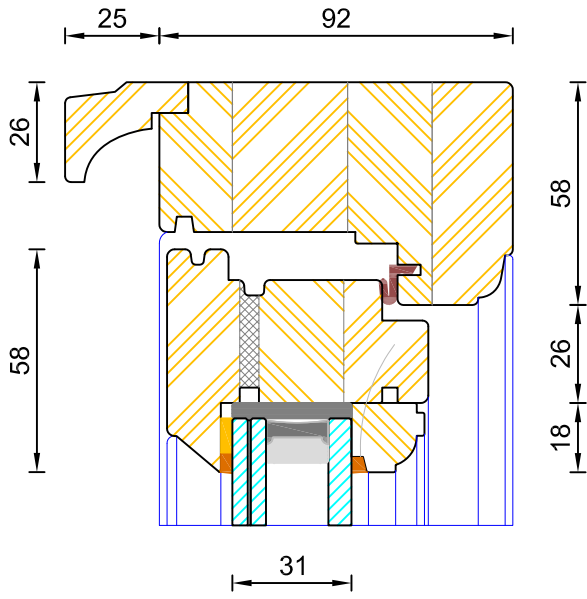


Traditional Flush Casement Window
Frame & Sash Sections - Acoustic Rating 38dB

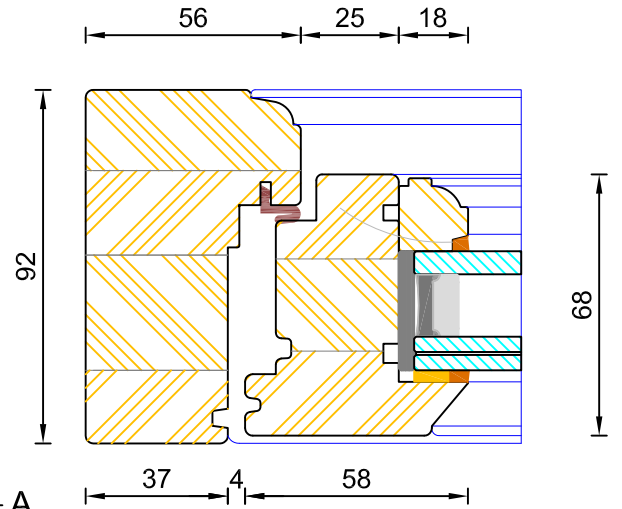
DIMENSIONS	PLOT SIZE	SCALE	DATE	REV	DWG NO.
MM	A2	1:1	18.06.2019	C	1850

Please consider the environment before printing

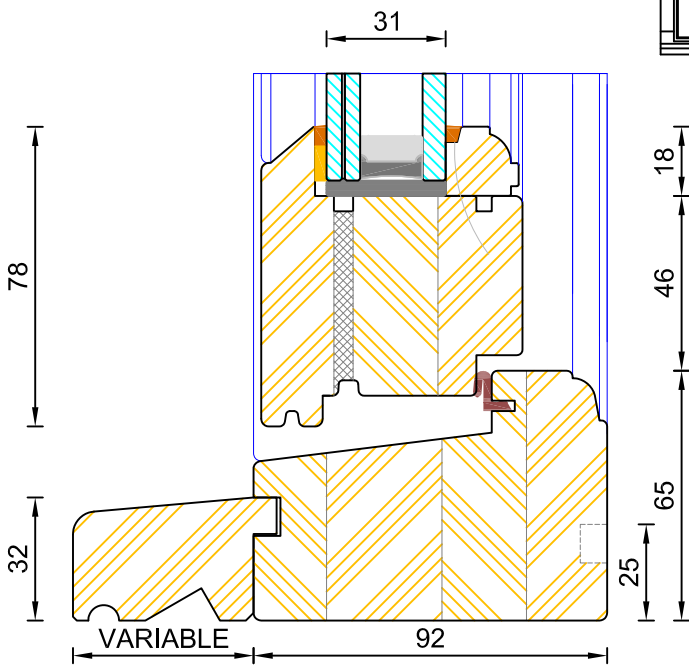
Section A-A



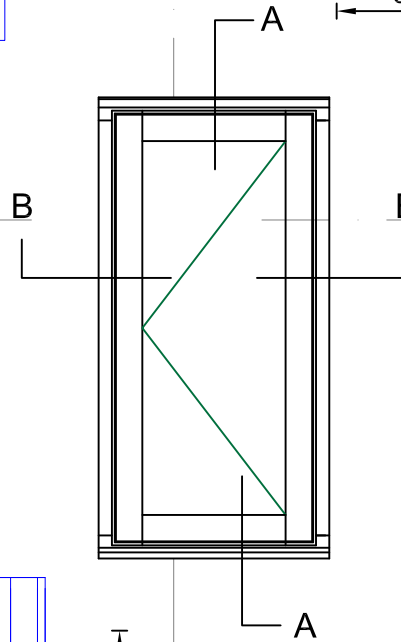
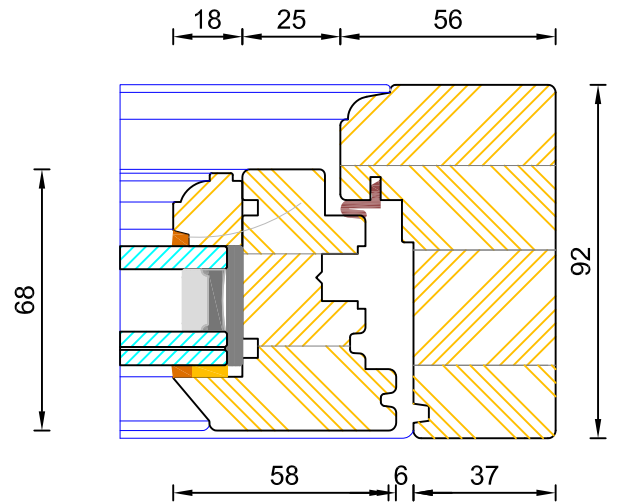
Section B-B



Section A-A



Section B-B



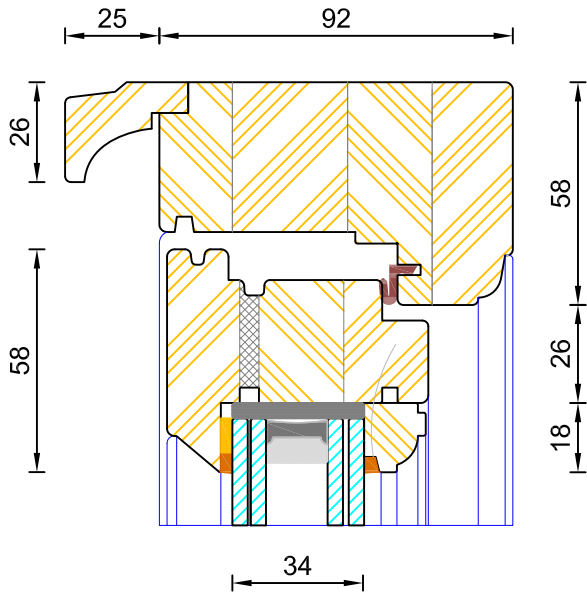
Typical sections showing acoustic glass - 8.8Aku/16ar/6T (42 dB)
 For full sectional details please refer to our standard double glazed sections



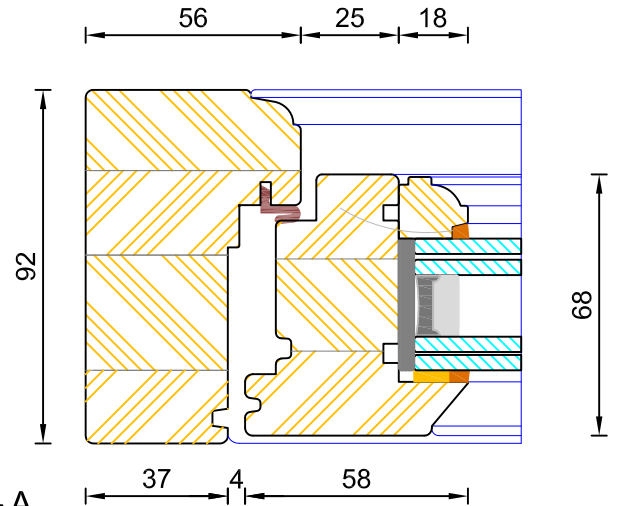
Traditional Flush Casement Window
Frame & Sash Sections - Acoustic Rating 41dB

DIMENSIONS	PLOT SIZE	SCALE	DATE	REV	DWG NO.
MM	A2	1:1	18.06.2019	C	1851
Please consider the environment before printing					

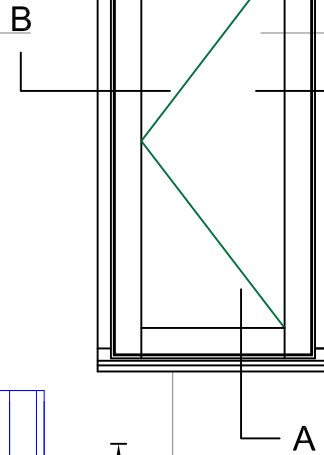
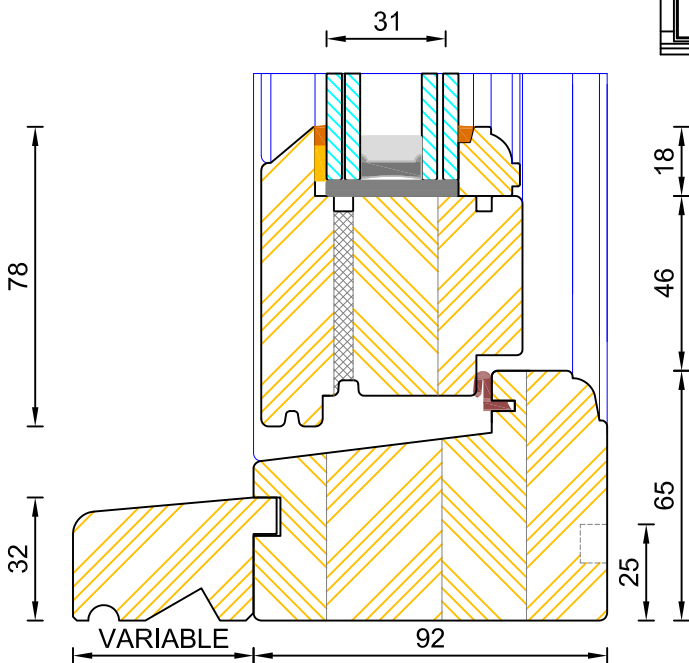
Section A-A



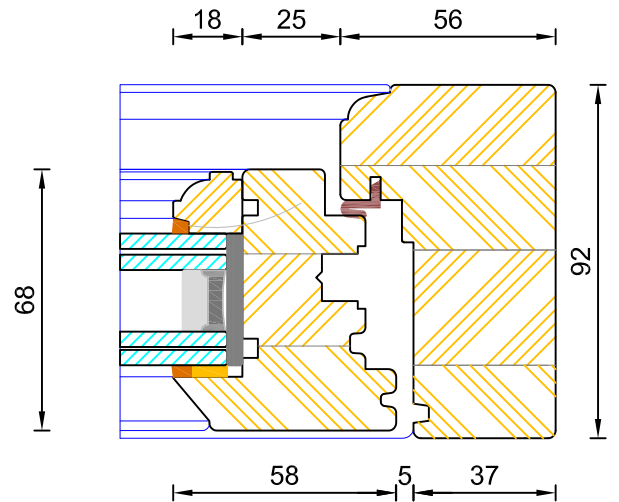
Section B-B



Section A-A



Section B-B



9.5/16Ar/8.8 AKU Termo 1.0. (45dB)

Typical sections showing acoustic glass - 9.5/16Ar/8.8Aku T CG A 1.0 (45dB)
 For full sectional details please refer to our standard double glazed sections



Traditional Flush Casement Window
Frame & Sash Sections - Acoustic Rating 42dB

DIMENSIONS	PLOT SIZE	SCALE	DATE	REV	DWG NO.
MM	A2	1:1	28.08.2019	D	1852
Please consider the environment before printing					