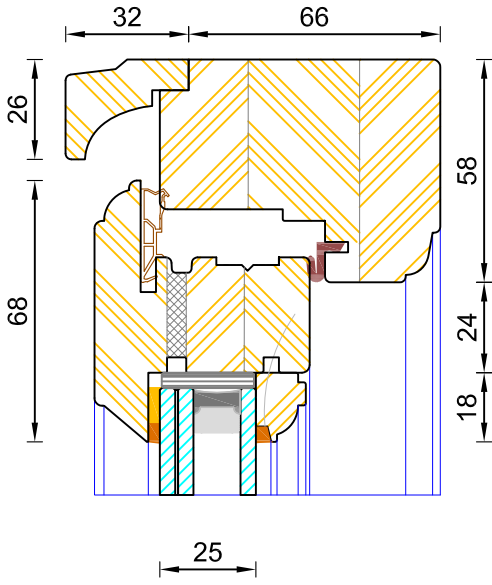
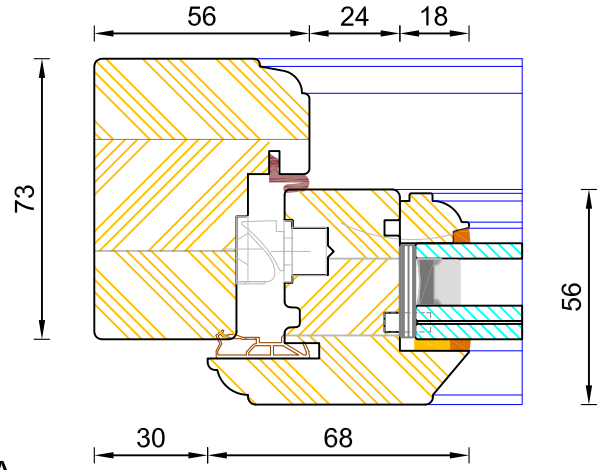


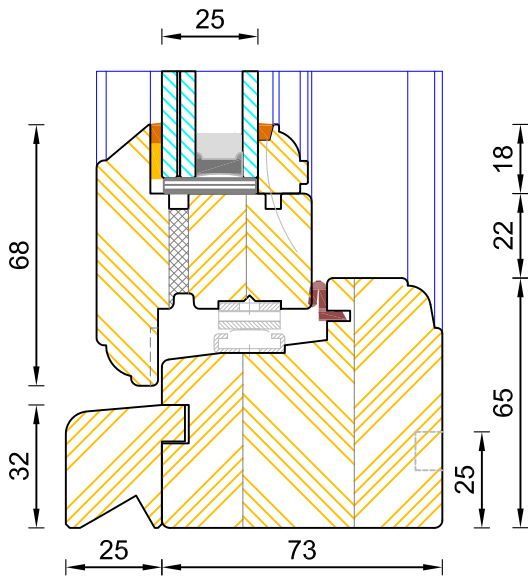
Section A-A



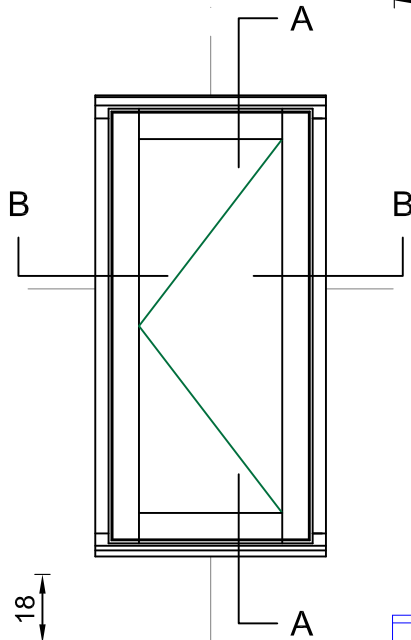
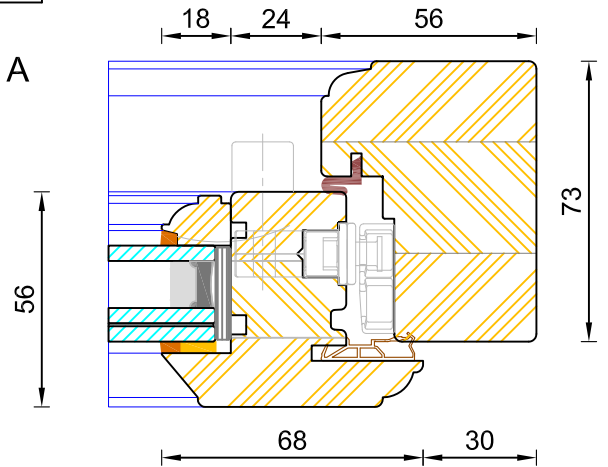
Section B-B



Section A-A



Section B-B



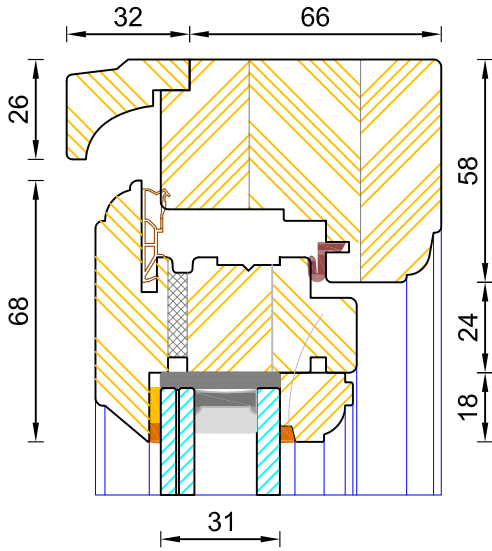
Typical sections showing acoustic glass - 8.8Aku/12ar/4T (39 dB)  
 For full sectional details please refer to our standard double glazed sections



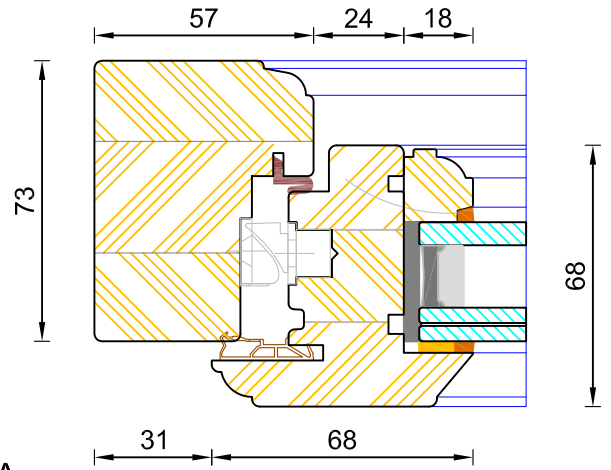
**Traditional Lipped Casement Window**  
**Frame & Sash Sections - Acoustic Rating 38dB**

DIMENSIONS	PLOT SIZE	SCALE	DATE	REV	DWG NO.
MM	A2	1:1	18.06.2019	C	<b>1760</b>
Please consider the environment before printing					

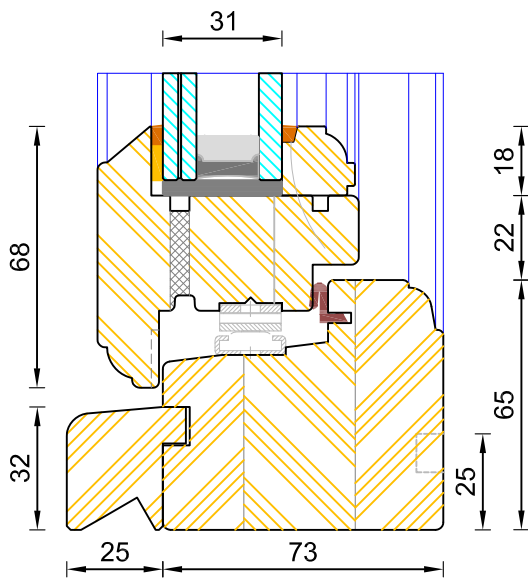
Section A-A



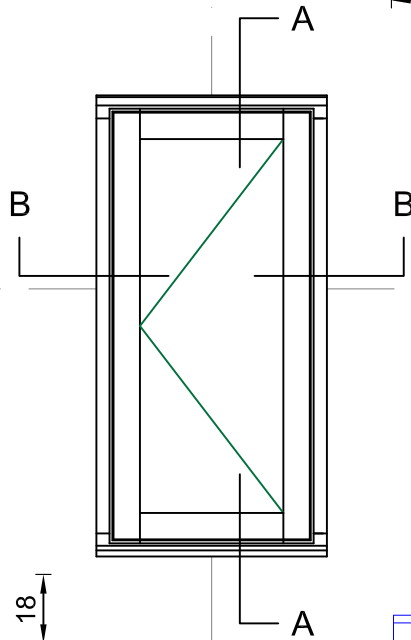
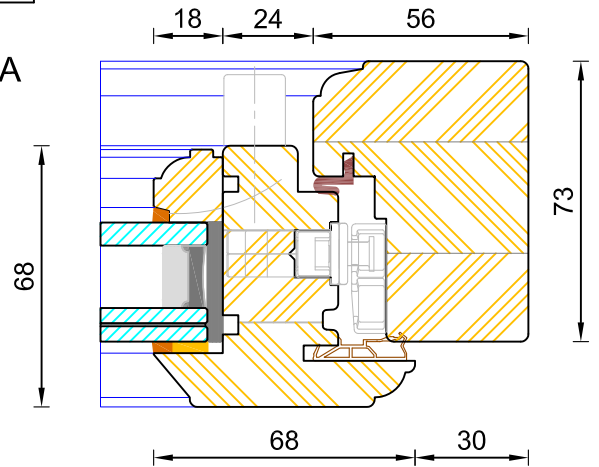
Section B-B



Section A-A



Section B-B



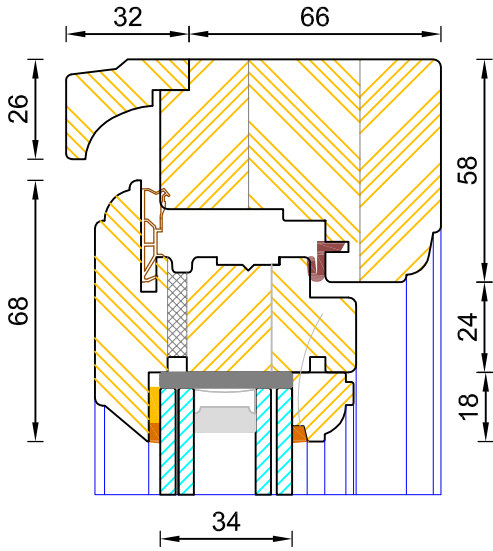
Typical sections showing acoustic glass - 8.8Aku/16ar/6T (42 dB)  
 For full sectional details please refer to our standard double glazed sections



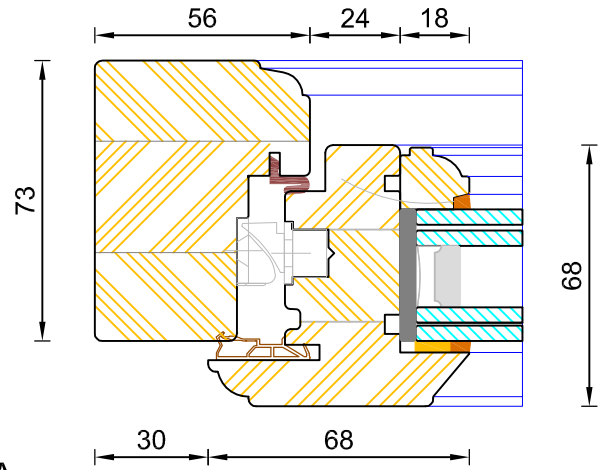
**Traditional Lipped Casement Window**  
**Frame & Sash Sections - Acoustic Rating 41dB**

DIMENSIONS	PLOT SIZE	SCALE	DATE	REV	DWG NO.
MM	A2	1:1	18.06.2019	C	<b>1761</b>
Please consider the environment before printing					

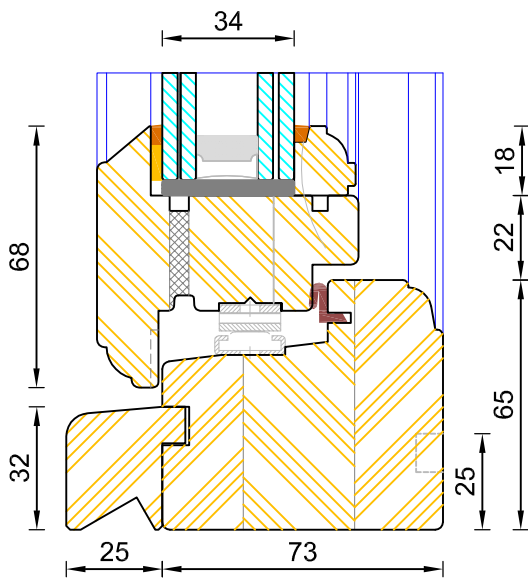
Section A-A



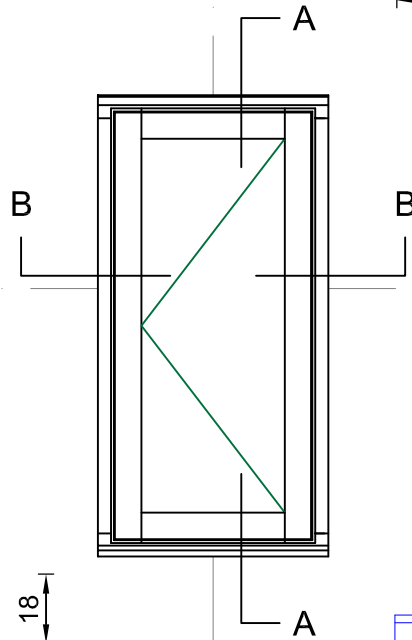
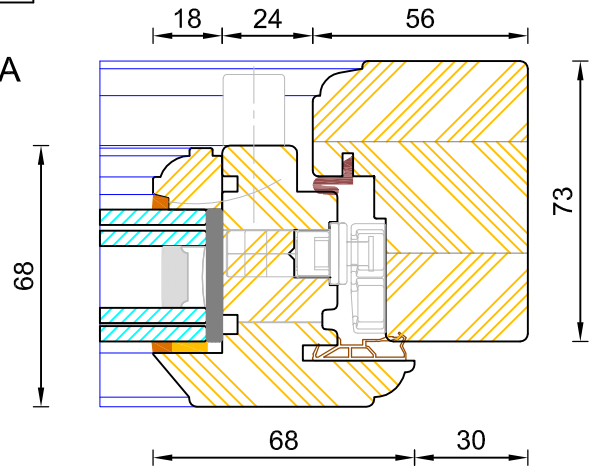
Section B-B



Section A-A



Section B-B



Typical sections showing acoustic glass - 9.5/16Ar/8.8T(Aku) CG A 1.0 **(45dB)**  
 For full sectional details please refer to our standard double glazed sections



**Traditional Lipped Casement Window**  
**Frame & Sash Sections - Acoustic Rating 42dB**

DIMENSIONS	PLOT SIZE	SCALE	DATE	REV	DWG NO.
MM	A2	1:1	28.08.2019	D	<b>1762</b>
Please consider the environment before printing					