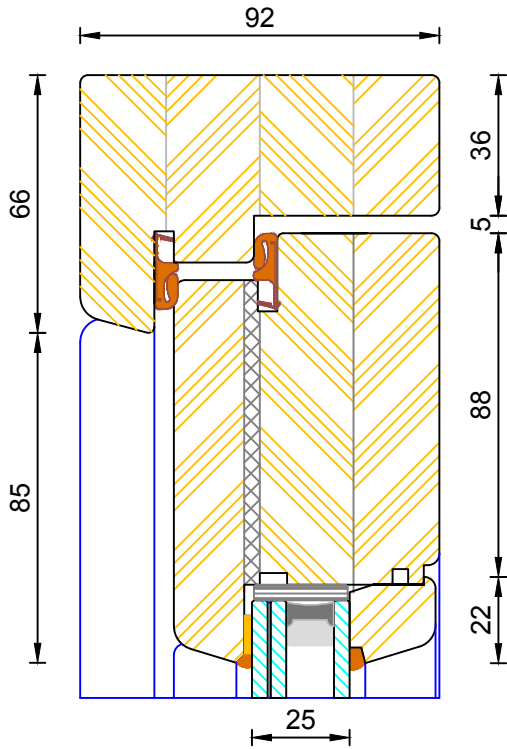
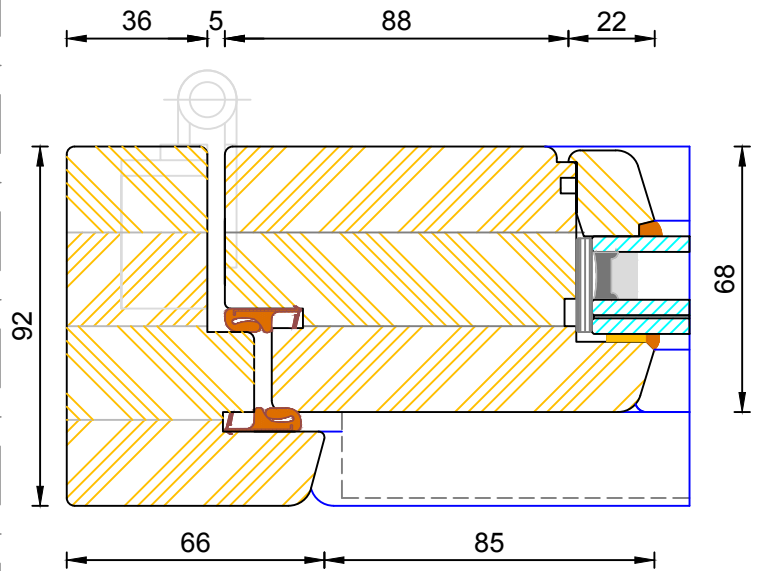


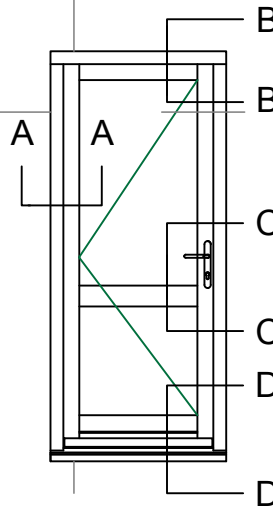
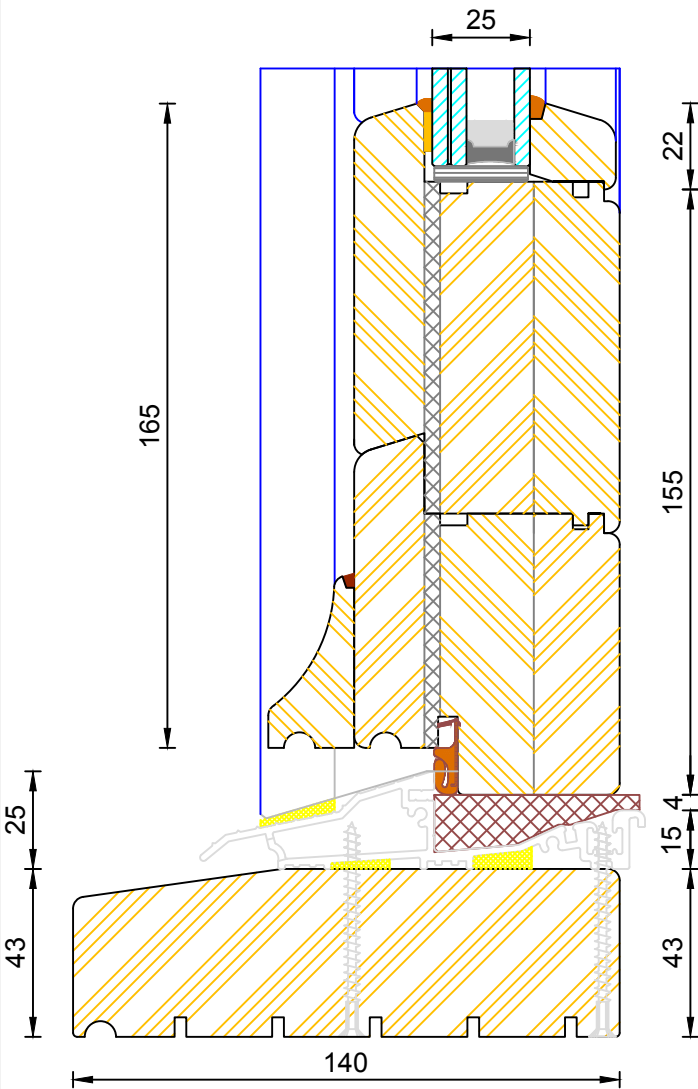
Section B-B



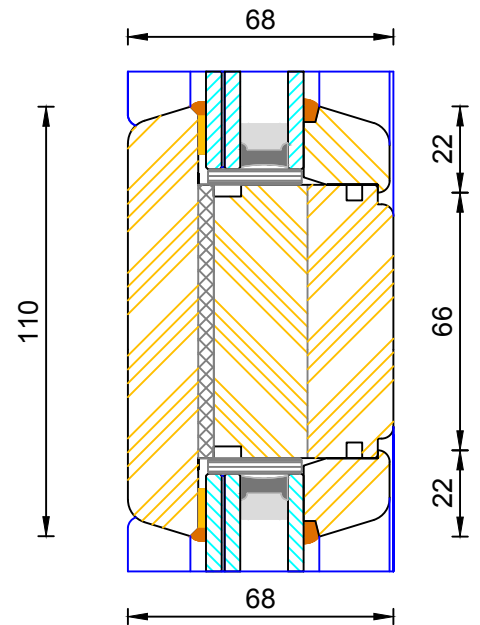
Section A-A



Section D-D



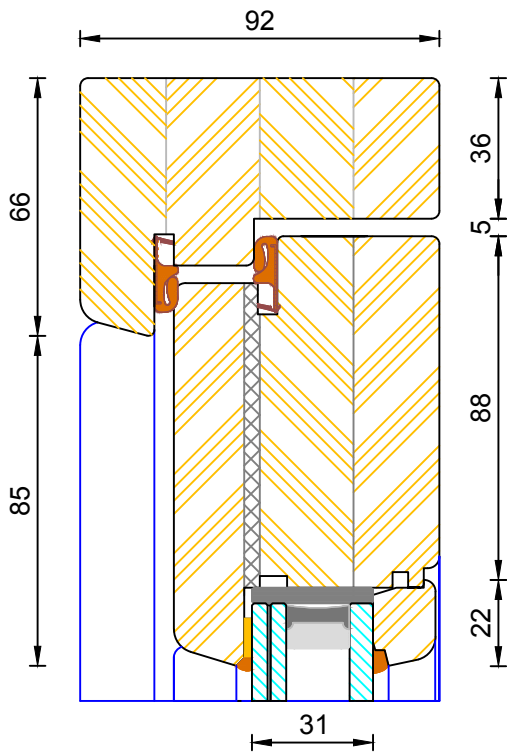
Section C-C



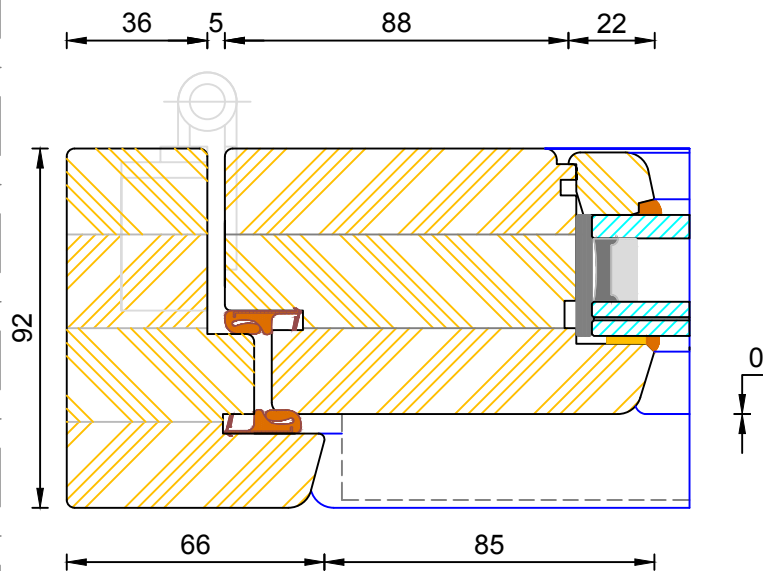
Typical sections showing acoustic glass -
 8.8Aku/12ar/4ESGT (39 dB)
 For full sectional details please refer to our standard
 double glazed sections

DIMENSIONS	PLOT SIZE	SCALE	DATE	REV	DWG NO.
MM	A2	1:1	25.10.2016	A	1180

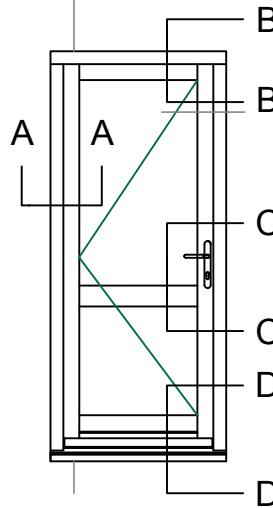
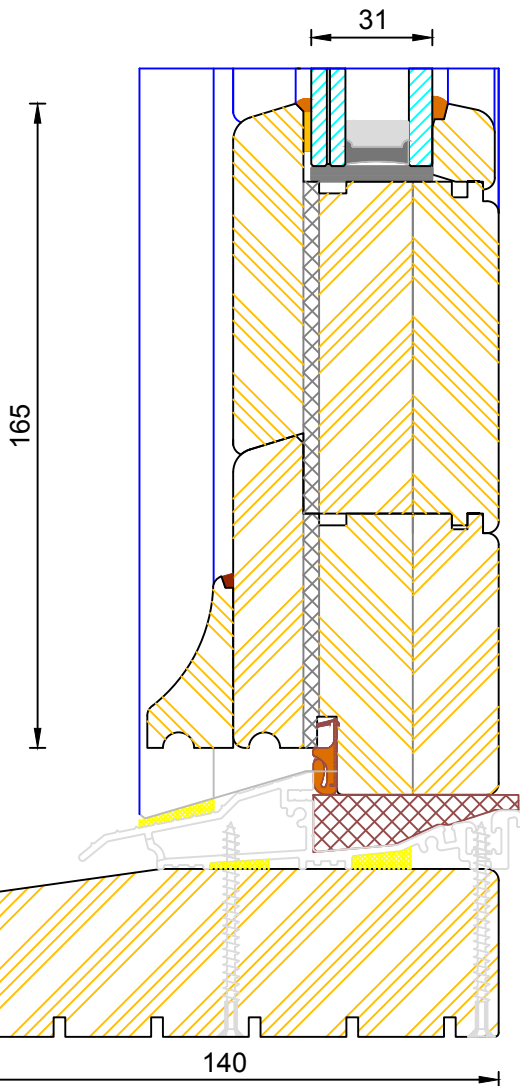
Section B-B



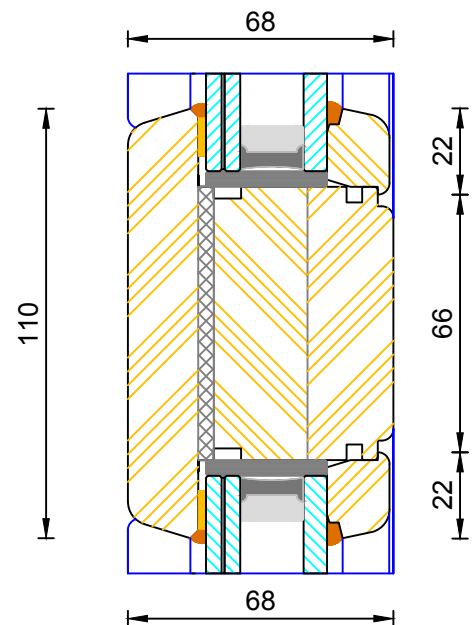
Section A-A



Section D-D



Section C-C



Typical sections showing acoustic glass -
 8.8Aku/16ar/6ESGT (42 dB)
 For full sectional details please refer to our standard
 double glazed sections

DIMENSIONS	PLOT SIZE	SCALE	DATE	REV	DWG NO.
MM	A2	1:1	25.10.2016	A	1181