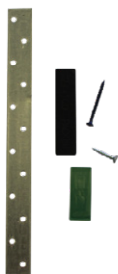


Bereco Installation Products



Bereco Fixing Packs

Designed to install a window/door up to 1800mm in height, Bereco fixing packs contain:

- 8 x metal fixing straps/plates
- 16 x wood screws for fixing the strap to the product
- 16 x masonry screws for fixing the strap into the brickwork
- 10 x wedge packers
- 10 x flat packers for packing and leveling



Bereco Expansion Foam & Perimeter Sealants

Everbuild Exact Gap Foam; a minimal expansion precision gap filling foam imposing minimal stress on window frames post installation.



Sika Plastix Sealant

An elastomeric, solvent and chemical resistant sealant with excellent adhesion to concrete, brick, timber and metal. High movement capability. For sealing of joints subject to structural movement.

Available in; Anthracite Grey, Black, Chartwell Green, Teak, Caramel, Translucent, Brilliant White

INSTALLATION OF BERECO WINDOWS & DOORS



If you require any additional items,
please contact our sales office:

01709 838188
enquiries@bereco.co.uk
www.bereco.co.uk



FIXING POINTS

Fixing straps/plates should be positioned 150mm in from each corner with additional fixings depending on the size of the frame.

Frame height:

Up to 1000mm = 2 per side

1000mm to 1600mm = 3 per side

1601mm to 2100mm = 4 per side

Over 2101mm = Every 450mm center.

Where the frame width exceeds 1800mm or is formed by two or more coupled units, fixings should also be provided at the head and cill.

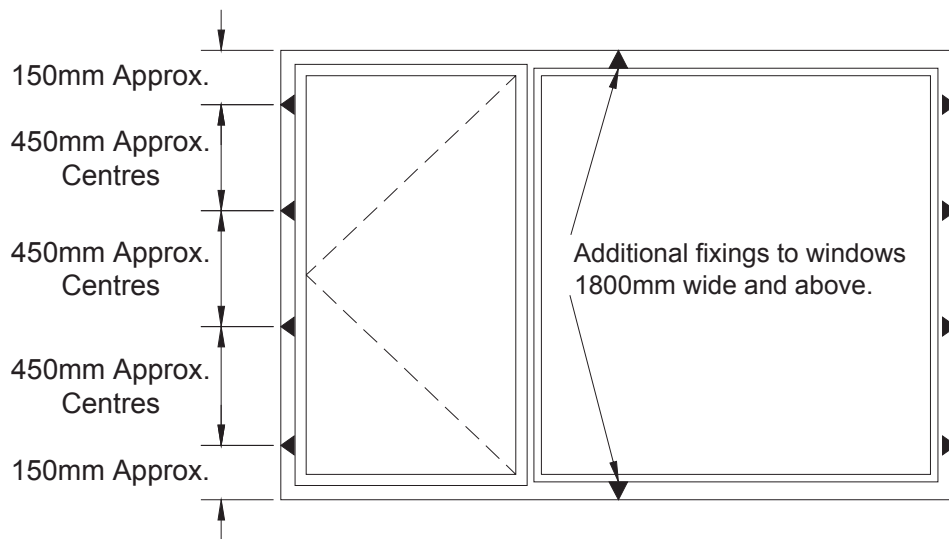
Where sash windows exceed 900mm wide, fixings should also be provided at the head and cill.

All Bereco windows and door sets should be fitted into preformed openings, which are at least 10mm larger (5mm all round) than the overall frame size.

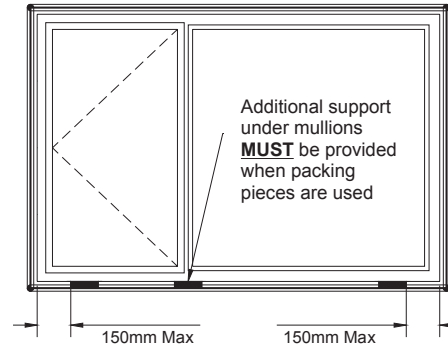
Using a spirit level, ensure windows and door sets are installed plumb and square prior to fixing.

Bereco recommend our windows and door sets be installed using metal fixing straps/plates.

The straps should be affixed to the window or door frame using:
2 x 10 gauge 1¼" wood screws per strap and 2 x 3/16 2¼" long masonry screws per strap.



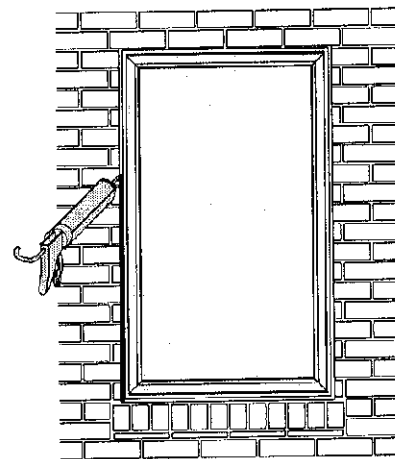
PACKING & LEVELLING



Support packers should be located at all fixing points. If additional packers are required to raise the position of the frame in the aperture or to compensate for the base of an aperture that is not level, all mullions must be supported.

Particular care is necessary when using packers in fixing sash windows, where even minor distortions in the jambs of the frame can prevent the movement of the sashes or introduce excessive clearance affecting weather performance and air tightness. When fitting packers the operation of sashes should be checked prior to final sealing of the window into the building envelope.

PERIMETER SEALING



A minimal expansion gap filling foam should be used post fixing to seal the frame into the fabric of the building creating an air and watertight seal.

Alternatively an expanding foam sealing tape can be used prior to installation of the window to create the seal upon installation of the frame. When using gap-filling foams avoid injecting excessive amounts as this may deflect the jambs and induce vertical bow.

Finally, a low modulus polysulphide based sealant (Approved to ISO 11600-F-25LM) should then be applied to the frame/building perimeter.